



Category 6 Modular Jacks

Through innovation and technological advancements, the Xcelerator™ XJ6 jack sets itself apart from the competition. Combining superior Category 6 component performance with a reliable QuickLace™ termination process, the XJ6 jack leads the industry with its unique component design and multiple patent-pending features.

Every aspect of the XJ6 series jack has been precision engineered for optimum performance, from the printed circuit board to the clear gray stuffer cap. The XJ6 features numerous innovations including Hubbell's exclusive QuickLace termination process, a unique universal wiring system, "patented" angled IDC 110 towers, one-piece latching stuffer cap, optional hinged dust cover, and an encapsulated high-density construction.

HUBBELL

Hubbell Premise Wiring

The XJ6 is ETL Verified for Category 6 channel performance and consistently exceeds all Category 6 channel specifications with unsurpassed headroom, achieving positive PSACR beyond 300MHz in a worst-case, 4-connector channel. The XJ6 is also ETL tested to meet all IEEE 802.3ab specifications (active) for error-free Gigabit Ethernet transmissions, as part of ETL's Total Solutions Program.

The Xcelerator™ GX2 modular jack series easily installs into all Hubbell Premise Wiring Infin-e-Station™ rear-loading fixed plates, front-loading modules and frames, multimedia housings and furniture plates. The XJ6 can be utilized in a wide variety of multimedia configurations in combination with our Snap Fit (SF) modules, customizing all work stations, consolidation points and telecommunication rooms.

Performance

Exceeds the latest Category 6 ANSI/EIA/TIA-568-B.2-1 (Draft 9b) component specifications

- Component of ETL's Total Solutions Program

Stuffer Cap

Clear, gray stuffer cap provides secure strain relief through a positive "snap" latching mechanism

Termination Towers

Angled, staggered IDC towers designed for easy pair splitting, conductor lacing, punch-down, providing exceptional strain relief



Density

Compact profile for high capacity multimedia applications

Dust Cover

Optional hinged dust cover protects port from unwanted environmental and non-environmental elements

Keystone

Keystone design mounts in any Hubbell Infin-e-Station™ plate, frame, module, furniture plate or multimedia housing

Universal Wiring

Two distinct easy-to-follow labels provide a universal wiring system that eliminates wiring confusion, permits termination to either T568A or T568B

PCB/IDC

Angled, staggered IDC 110 contact configuration and printed circuit board design provides optimal product performance

Nose Contacts

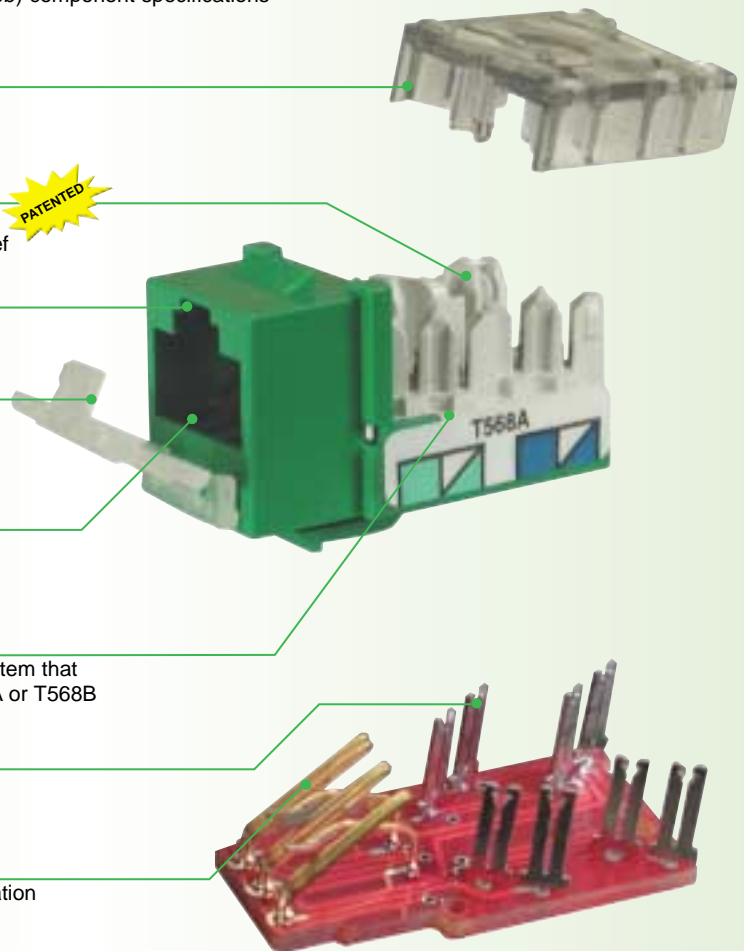
Innovative front-to-back contact design provides contact separation increasing performance and controlling crosstalk

Jack Panel

Use in unloaded jack panel available for flexible rack mount applications for 16, 24, 36 and 48-port configurations

Colors

Available in 13 colors, providing identification options for network configurations



SPECIFICATIONS

Construction Materials

- Housing - Flame Retardant (UL 94 V-0)
- Termination Towers - Flame Retardant (UL 94 V-0)
- Termination/Stuffer cap - Flame-Retardant (UL 94 V-0)
- Dust Cover - Polypropylene

Contact Materials

- Nose Contacts - Beryllium Copper base metal with a minimum of 50 micro-inch Gold Plating over Nickel underplating
- IDC 110 Contacts - Phosphorus Bronze base metal with 100 micro-inch Tin Lead 60/40 plating over Nickel underplating

Performance Specifications

- Confirmed contact performance over full range of (FCC Specification) deflection limits
- 2,500+ mating cycles
- Insulation Displacement Contact (IDC) accommodates 22 to 26 AWG/Solid
- 10+ IDC terminations for same size AWG
- Accepts FCC 6-position plugs
- Positive PSACR beyond 300 MHz (channel)
- Exceeding IEEE 802.3ab Gigabit Specification to $< 1 \times 10^{-13}$

Nationally Recognized Listings and Verifications

- ANSI/TIA/EIA-568-B.2-1 Category 6 component compliant to the latest draft (9b)
- IEEE 802.3ab Gigabit Ethernet verified
- ETL Tested for Category 6 channel performance
- UL Listed 1863
- CSA Certified
- FCC part 68.5, subpart F compliant
- IEC-603-7 compliant
- ISO 11801 Class E compliant

ORDER INFORMATION

NEXT SPEED® Xcelerator™ Category 6 Jacks

Unit Package	1 per Bag	25 per Bag
Order Qty.	Carton of 25	Bag of 25
Color	Catalog No.	Catalog No.
Black	HXJ6BK	HXJ6BK25
Blue	HXJ6B	HXJ6B25
Electric Ivory	HXJ6EI	HXJ6EI25
Gold	-	HXJ6GL25
Gray	HXJ6GY	HXJ6GY25
Green	HXJ6GN	HXJ6GN25
Office White	HXJ6OW	HXJ6OW25
Orange	HXJ6OR	HXJ6OR25
Purple	-	HXJ6P25
Red	HXJ6R	HXJ6R25
Telco Ivory	HXJ6TI	HXJ6TI25
White	HXJ6W	HXJ6W25
Yellow	HXJ6Y	HXJ6Y25

ACCESSORIES

Hinged Dust cover	Qty.	Catalog No.
Xcelerator™ Hinged Dust Cover	25-Pack	HXJDC25
"Jack Knuckles" Termination Tool		
Description	Qty.	Catalog No.
Hand Termination Tool	1	HXTA
"1-Punch" 4-Pair Punch-Down Tool		
Description	Qty.	Catalog No.
**Xcelerator™ 4-Pair Punch-Down Tool	1	TX4P
**Xcelerator™ 4-Pair Replacement Head	1	TX4PH

**Available 1Q-2002



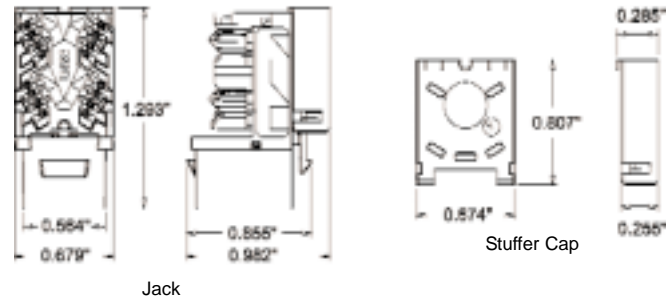
Hubbell Premise Wiring

HUBBELL INCORPORATED (Delaware)
 14 Lord's Hill Road • Stonington, CT 06378-0901 • (860) 535-8326 • 800-626-0005
 Fax: (860) 535-8328 • Internet site: <http://www.hubbell-premise.com>

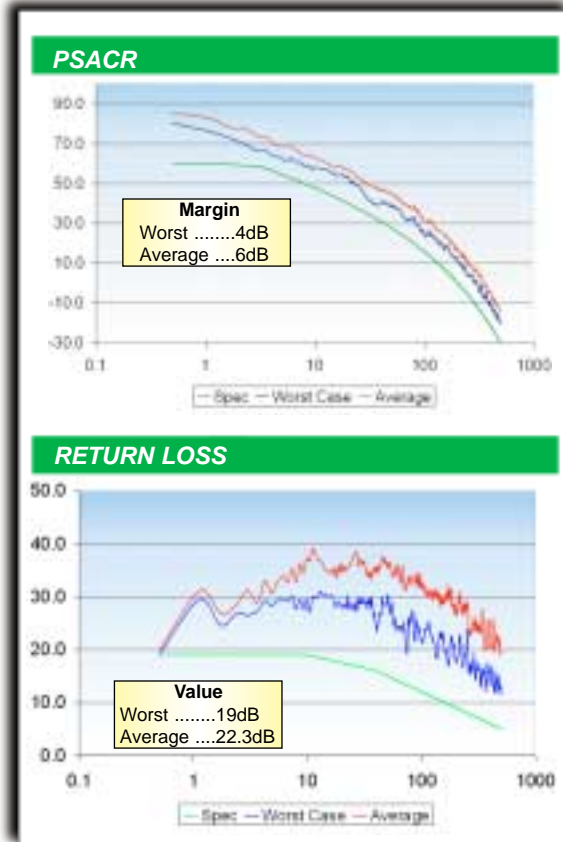
Worldwide Locations

Hubbell Premise Wiring, Asia Pacific	852-2836-7131	Fax: 852-2836-7132	Hubbell de Mexico, S.A. de C.V.	52-5-575-2022	Fax: 52-5-559-8626
Hubbell Canada Inc.	905-839-1138	Fax: 905-839-9108	Hubbell Premise Wiring, Middle East	971-4-393-4192	Fax: 971-4-393-4194
Hubbell Premise Wiring, China	86-21-6217-3478	Fax: 86-21-6217-3481	Hubbell Premise Wiring, Puerto Rico	787-460-3380	Fax: 787-751-7309
Hubbell Premise Wiring, Europe	44-(0)1234-848550	Fax: 44-(0)1234-856190	Hubbell-Taian Co., Ltd., Taiwan	886-2-(0)2515-0855	Fax: 886-2-(0)2515-0899
Hubbell Int'l. Inc., Korea Branch	82-2-(0)2607-1363	Fax: 82-2-(0)2603-7386	Hubbell Incorporated, Turkey	90-216-414-8147	Fax: 90-216-414-8148
Hubbell Premise Wiring, Latin America	305-251-4236	Fax: 305-251-4087	Hubbell Premise Wiring, Venezuela	58-81-820323	Fax: 58-81-820323

DIMENSIONS



CATEGORY 6 CHANNEL DATA*



Termination Tools

Jack Knuckles

- ◆ Accommodates HD and XJ series jacks
- ◆ Textured hand grip
- ◆ Pressure-fit cable holder
- ◆ Screws to standard 19" rack upright for jack panel termination

1-Punch**

- ◆ Terminates all 4-pairs in one shot
- ◆ 75% termination time/labor savings
- ◆ Specifically designed for Xcelerator™ Jack only

**Available 2Q-2002

