



HUBBELL  
**iStation**

## Audio/Video Connectors, Plug-n-Play VGA Connections

iSTATION™ System Integration.

Easy Plug-n-Play Installation.

Zero Termination.

Multiple Configurations  
Supports Different VGA  
Requirements.

Termination is now just a simple "Plug-n-Play" connection.



Over-molding provides connector strain relief behind the plate.

Saves valuable time on installation.

### SPECIFICATIONS

- ◆ Connector:
  - 15-pin PCB Mount
    - 15-pin Contact: Gold Plated 2 micro inch
  - 8-pin PCB Mount
    - Pin Brass-Nickel Plated
- ◆ Module Material:
  - Module: Flame Retardant Polymer
  - UL Rated: 94 V-0
- ◆ Performance:
  - UXGA: 1600 x 1200 pixels

### CONNECTOR TERM

The common 15-pin VGA connector found on most video cards, computer monitors, flat panels, projectors, and other component video devices. It is universally called "HD-15". HD stands for "high-density", which distinguishes it from connectors having the same (form factor) number of pins.

"VGA connectors" and their associated cabling are almost always used solely to carry analog component RGBHV (red-green-blue-horizontal sync-vertical sync) video signals along with DDC2 digital clock and data.

### CABLE TERMINATION

**Cable Type:** 30 AWG 75 Ohm  
5 mini Coax: Plenum  
3 mini Coax w/Twisted Pair: Non-Plenum  
Factory terminated

Hubbell's iSTATION™ Plug-n-Play VGA high-density DB15 connections provide the industry's fastest terminating video connection. The high performance, high quality video connection is designed for minimal signal loss delivering a transparent video stream to the viewing device.

The iSTATION™ Plug-n-Play VGA is just that, plug it in and walk away. These connectors take the termination out of the installation, saving valuable time and labor on the job site. The VGA connector comes in various connector and horizontal run configurations to adapt to any VGA video application. Each horizontal VGA run is factory tested and terminated, ensuring video integrity, repeatability and consistency.

Providing flexibility and ease-of-use for multimedia applications, our iSTATION™ Plug-n-Play VGA connectors fit into a high-density iSTATION™ module which is 1 unit in size, allowing for 3 units to fit in a single gang iSTATION™ faceplate.

Create a customized multimedia outlet by adding a iSTATION™ "Plug-n-Play" VGA connector along with HPW's extensive line of AV connectors, iSTATION™ modules and XCELERATOR™ jacks.

### APPLICATIONS SUPPORTED

Desktop computers, laptop computers, flat panel televisions, monitors and projectors.

### INSTALLATION TIPS

**Important:** Always allow for clearance behind connection location to ensure for proper bend radius (see page 2 for connector details).

Bring cable to the back of the HD-15 connector and plug directly into the 8-pin DIN connection. Even though the connector snaps onto the cable we recommend using a wire tie to ensure stability.

**ORDER INFORMATION**

**AV Connector, Plug-n-Play VGA Connections**



Description	Catalog No.
15-pin to 8-pin, Straight 180°, 10-pack	<b>15S6P10</b>
15-pin to 8-pin, Angled 45°, 10-pack	<b>15A6P10</b>
15-pin to 8-pin, 8" Tail, 10-pack	<b>15T6P10</b>
15-pin to 8-pin, Angled 90°, 10-pack	<b>15N6P10</b>
15-pin to 8-pin, Straight 180°, 1-pack	<b>15S6P1</b>
15-pin to 8-pin, Angled 45°, 1-pack	<b>15A6P1</b>
15-pin to 8-pin, 8" Tail, 1-pack	<b>15T6P1</b>
15-pin to 8-pin, Angled 90°, 1-pack	<b>15N6P1</b>
15-pin Screw Terminal, 10-pack	<b>15ST10</b>
15-pin Feed Through, 10-pack	<b>15GC10</b>

Description	Catalog No.
HD 15-pin Opening, Unloaded, 1 Unit	<b>IMBDS1XX</b>

Colors - Replace **XX** with color code:  
 Almond = "**AL**"; Black = "**BK**"; Gray = "**GY**"; Electric Ivory = "**EI**";  
 Light Almond = "**LA**"; Office White = "**OW**"; White = "**W**"

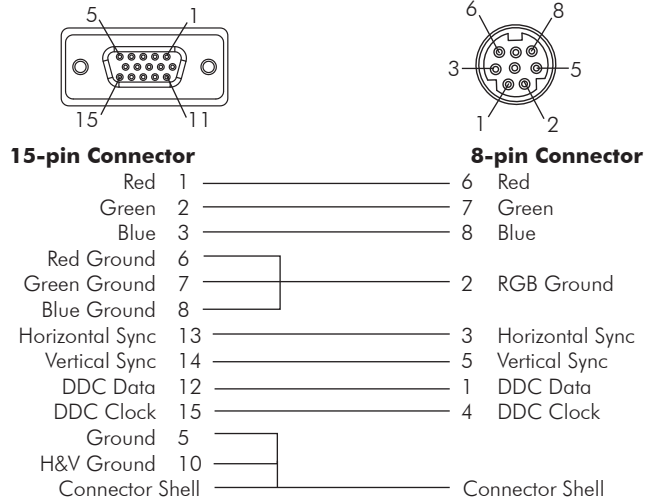
**Plug-n-Play VGA Horizontal Runs**



Description	Catalog No.
VGA, 8-pin, Non-Plenum, Black	<b>VGA6XXBK</b>
VGA, 8-pin, Plenum, Black	<b>VGA6PXXBK</b>
VGA, 8-pin, 15-pin F, Non-Plenum, Black	<b>VG15F6XXBK</b>
VGA, 8-pin, 15-pin M, Non-Plenum, Black	<b>VG15M6XXBK</b>
VGA, 8-pin, 15-pin M, Plenum, Black	<b>VG15MP6XXBK</b>

**XX**=Length 05,10,15, 20, 25, 30, 35, 40, 45, 50, 55, 60, 65, 70, 75, 80, 85, 90, 95, 100

**CONNECTOR PIN-OUT**



**DDC VESA DISPLAY DATA CHANNEL**

Display Data Channel (DDC) is a VESA (Video Electronics Standard Association) standard that defines how to read certain pins in a standard SVGA monitor to query the monitor's capabilities.

**iSTATION™ COMPATIBLE**

**Workstation and Cross-Connect Solutions**

- Front-loading Plates
- UDX Multimedia iSTATION™ Panels
- iFRAME™ Vertical Patch Panel

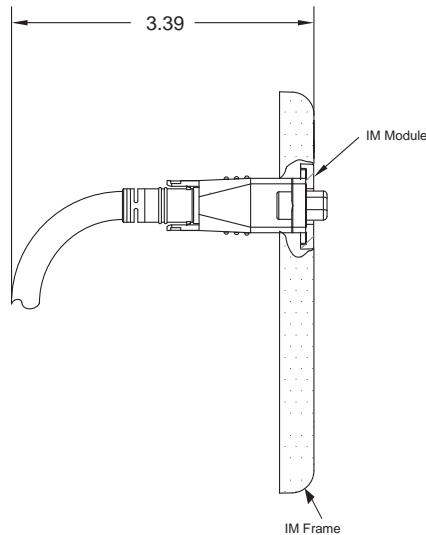
**Delivery System**

- SystemOne Poke-Throughs and Floor Boxes
- Surface Raceway, Metal and Non-Metallic
- Multi-Connect™ Wall Boxes/Conference Table Boxes
- Power Poles

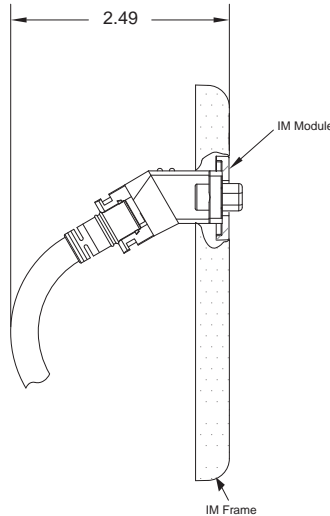


**CONNECTOR DEPTH CHART**

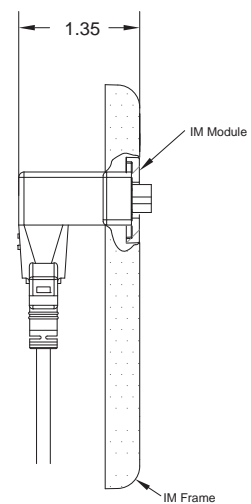
**15S6P10**



**15A6P10**

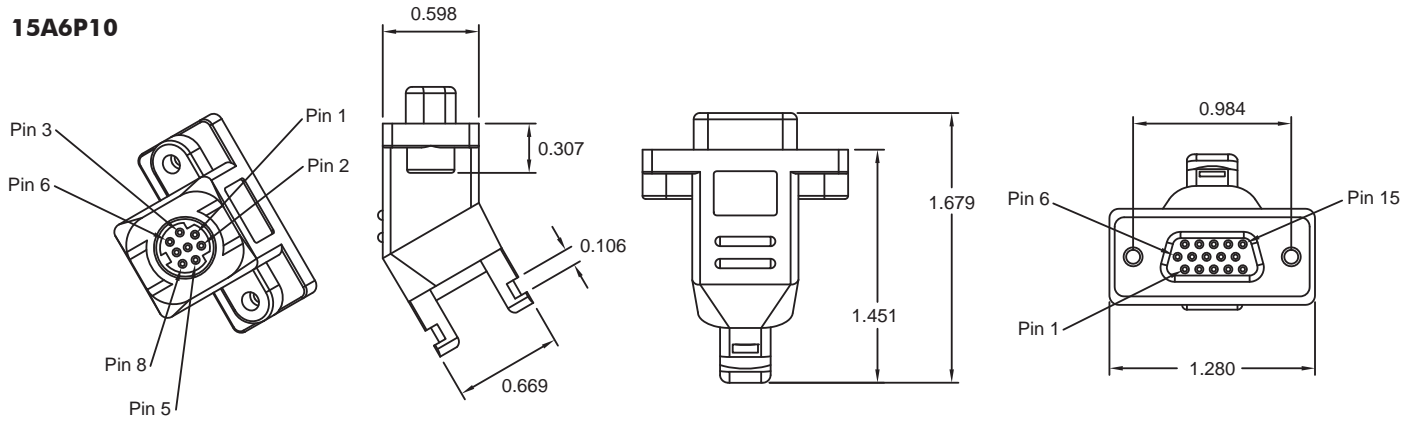


**15N6P10**

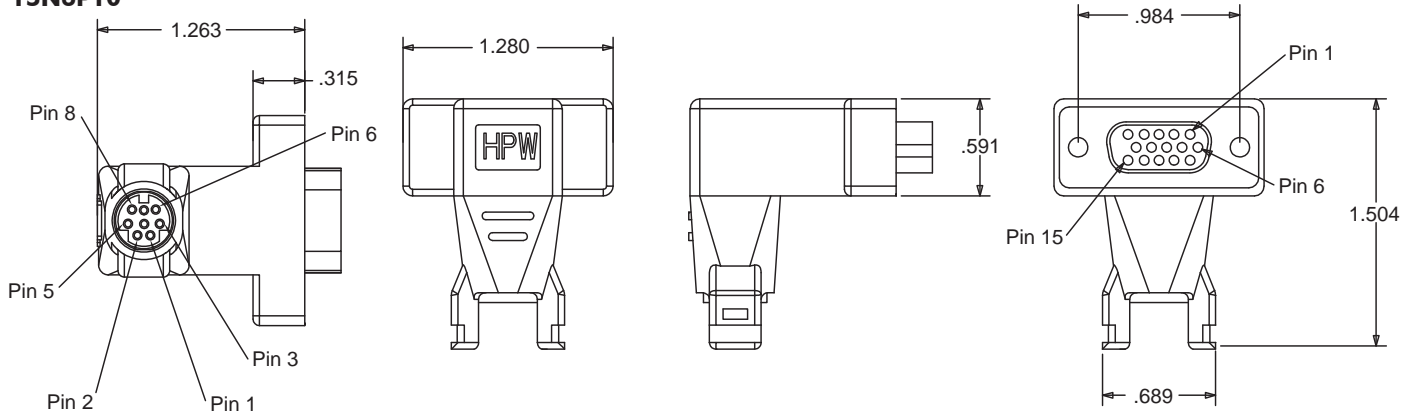


**DIMENSIONS**

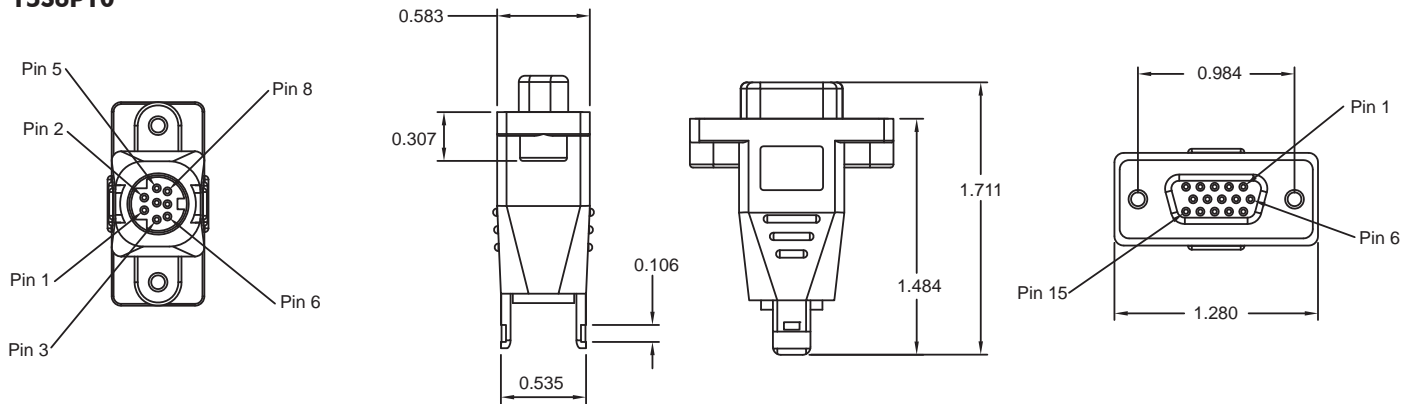
**15A6P10**



**15N6P10**

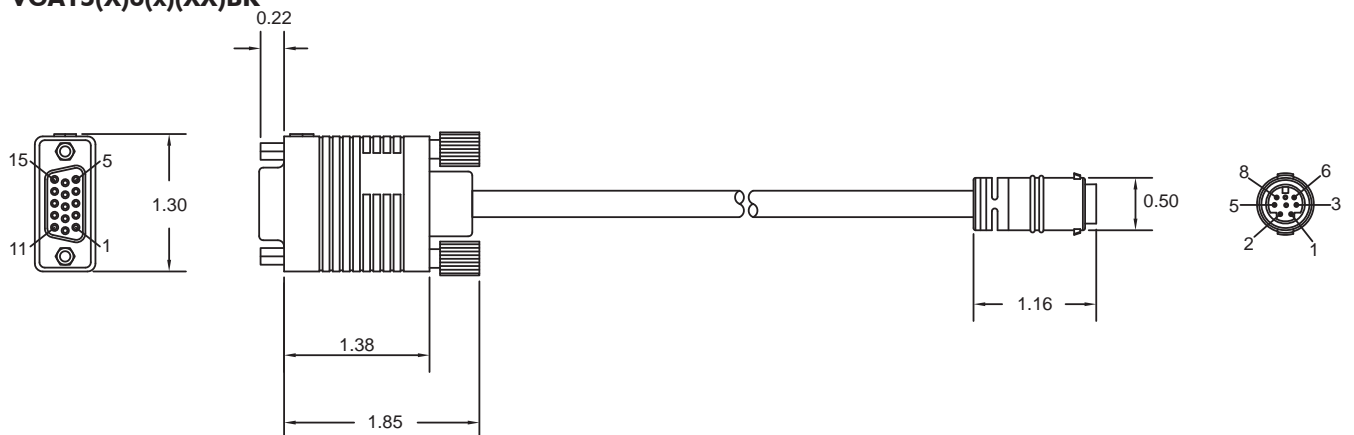


**15S6P10**



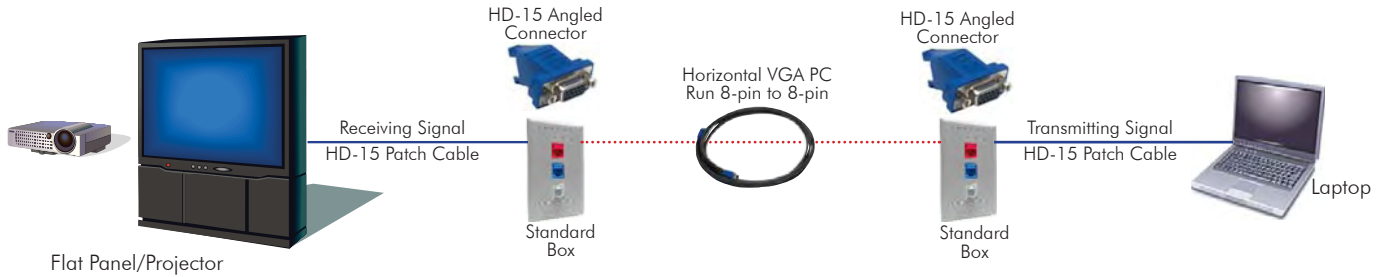
**15TP610**

**VGA15(X)6(x)(XX)BK**

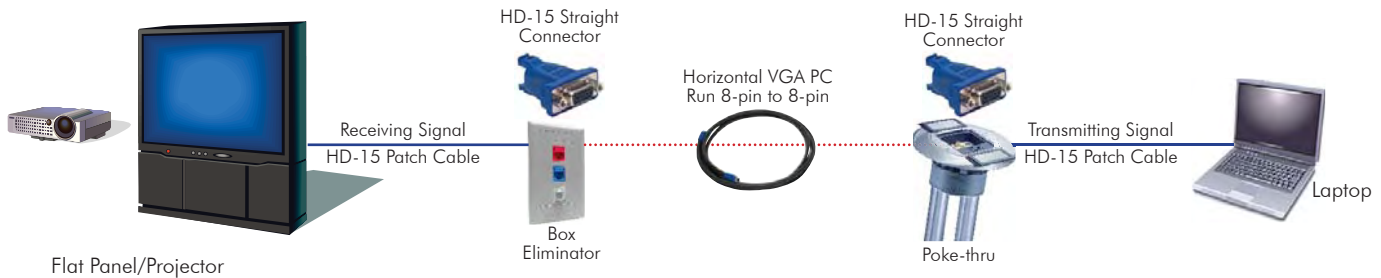


## TYPICAL APPLICATIONS

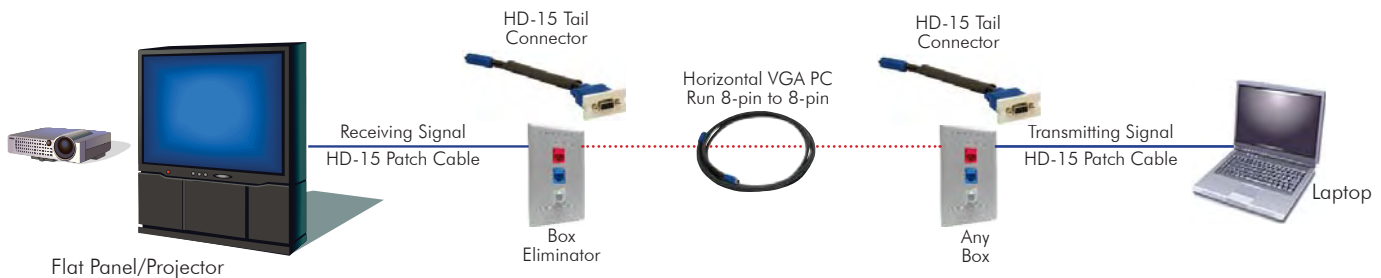
**Application 1:** Angled can be used when cable constraints (depth issues) are encountered.



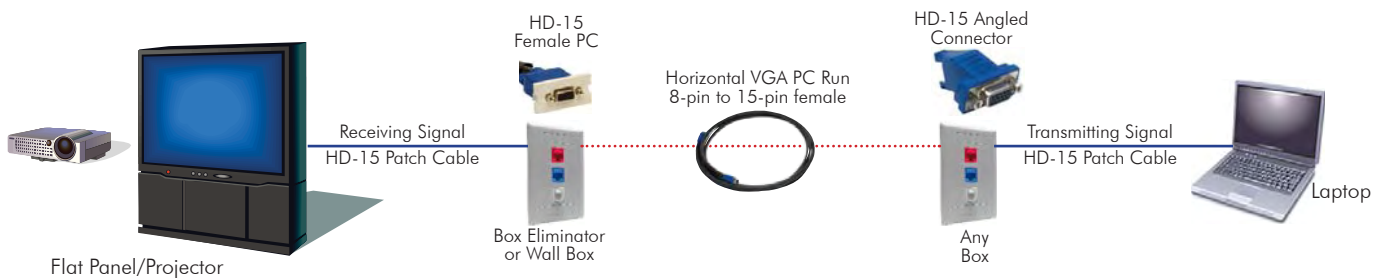
**Application 2:** Straight can be used with delivery exiting straight out the back (no constraints).



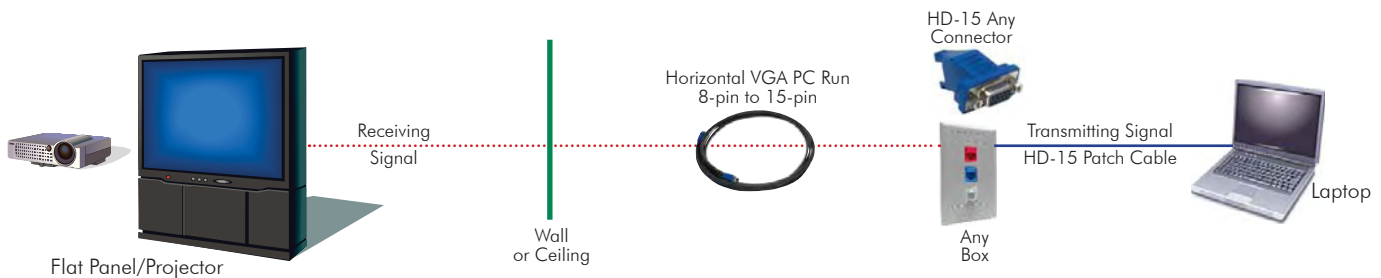
**Application 3:** Tail can be used with most applications that have extra room behind the plate.



**Application 4:** 15 female to 8-pin horizontal run can be installed directly into the 1U VGA Module.



**Application 5:** 15 to 8-pin horizontal runs come directly from the wall/ceiling to connect to the viewing device.



### Hubbell Premise Wiring

HUBBELL INCORPORATED (Delaware)

14 Lord's Hill Road • Stonington, CT 06378-0901 • (860) 535-8326 • 800-626-0005

Fax: (860) 535-8328 • Internet site: <http://www.hubbell-premise.com>

#### Worldwide Locations

Hubbell Premise Wiring, Asia Pacific  
Hubbell Canada Inc.  
Hubbell Premise Wiring, Central America  
Hubbell Premise Wiring, China  
Hubbell Premise Wiring, Europe  
Hubbell Premise Wiring, India  
Hubbell Int'l. Inc., Korea Branch

852-2836-7131  
905-839-1138  
506-309-4158  
86-21-6374 2660  
44-01283 500500  
91-80-4022-4089  
(82 2) 2607 1363

Fax: 852-2836-7132  
Fax: 905-839-9108  
Fax: 506-260-1616  
Fax: 86-21-6374 2799  
Fax: 44-01283 500400  
Fax: 91-80-4022-4033  
Fax: (82 2) 2603 7386

Hubbell Premise Wiring, Latin America  
Hubbell de Mexico, S.A. de C.V.  
Hubbell Premise Wiring, Middle East  
Hubbell Premise Wiring, Puerto Rico  
Hubbell-Taian Co., Ltd., Taiwan  
Hubbell Premise Wiring, Venezuela

305-408-4501  
(5255) 9151-9999  
971-4-393-4192  
787-855-1075  
886-2-2522-1862  
58-212-5156482

Fax: 305-408-8201  
Fax: (5255) 9151-9989  
Fax: 971-4-393-4194  
Fax: 787-855-3265  
Fax: 886-2-2522-1872  
Fax: 58-212-6627258

DS-C92 09/07