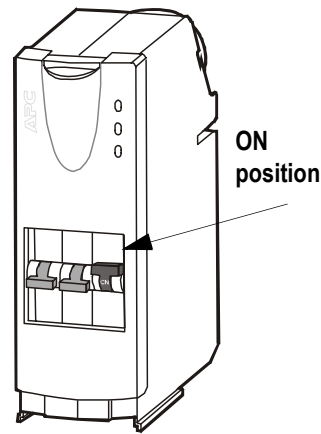


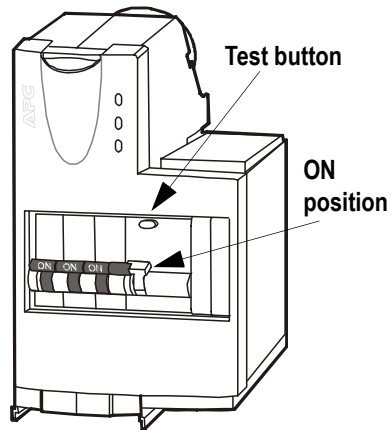
Installation

InfraStruXure Power Distribution Module

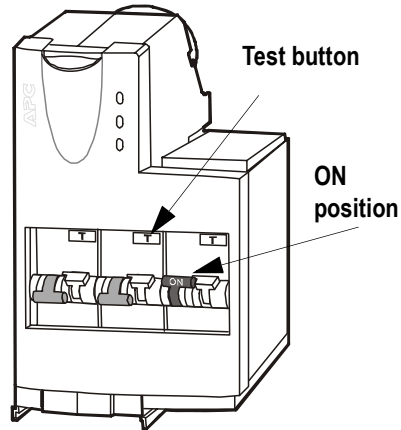
PDM – Single and Three phase



PDM with RCD (Residual Current Devices) - Three phase



PDM with RCD – Single phase



Electrical Hazard. To prevent arcing when removing an APC Power Distribution Module (PDM) from the Modular Power Distribution Unit (PDU), set all PDMs to OFF. Do not remove the modules while they are still supporting the load.



Caution: PDMs must be replaced by trained personnel only.



Note: The PDM can be safely installed into a powered rack.



Note: For PDMs with RCDs installed, the occurrence of an earth fault will automatically open the adjacent circuit-breaker.



Note: PDMs with RCDs are equipped with a test button. Periodic testing of the RCD may be required. Check your local codes.



See Operation Manual 990-3054 for more information.

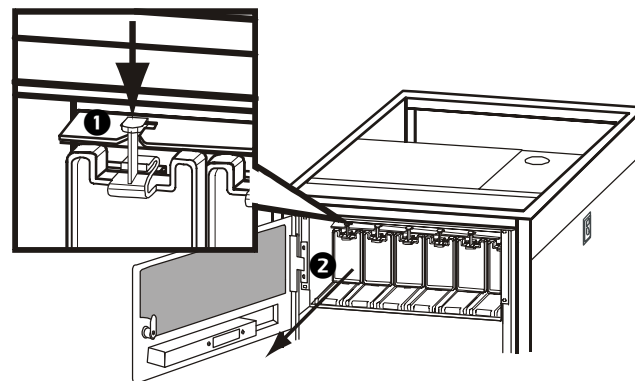
How to unpack the Power Distribution Module (PDM)

- 1 Remove the PDM from its carton.
- 2 Cut cable ties and unwind the power cable.

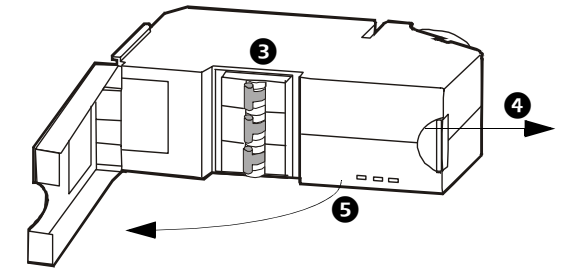
How to install the PDM



Note: Some Power Distribution Units have filler plates installed. When a PDM is to be installed, the filler plate must be removed from the busbar.

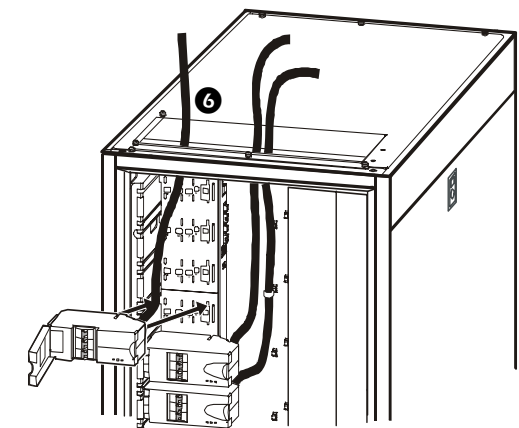


- 1 Press down on the clip.
- 2 Pull out the plate from the unit. (Do not throw away the filler plate. Keep it for potential later use).

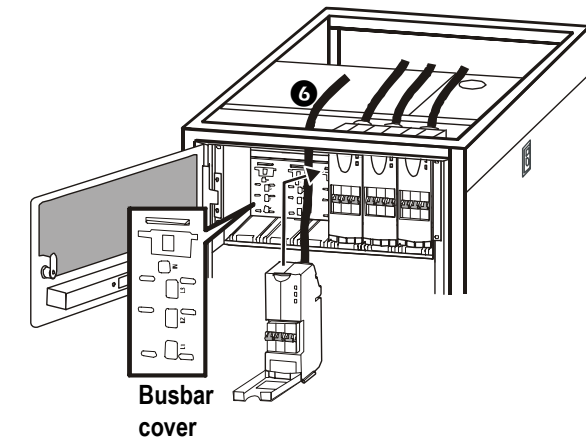


- 3 Verify that all the breakers are in the OFF position.
- 4 Press the red button to release the latch.
- 5 Pull open the latch.

Vertical Rack Distribution Panel



Horizontal Rack Distribution Panel

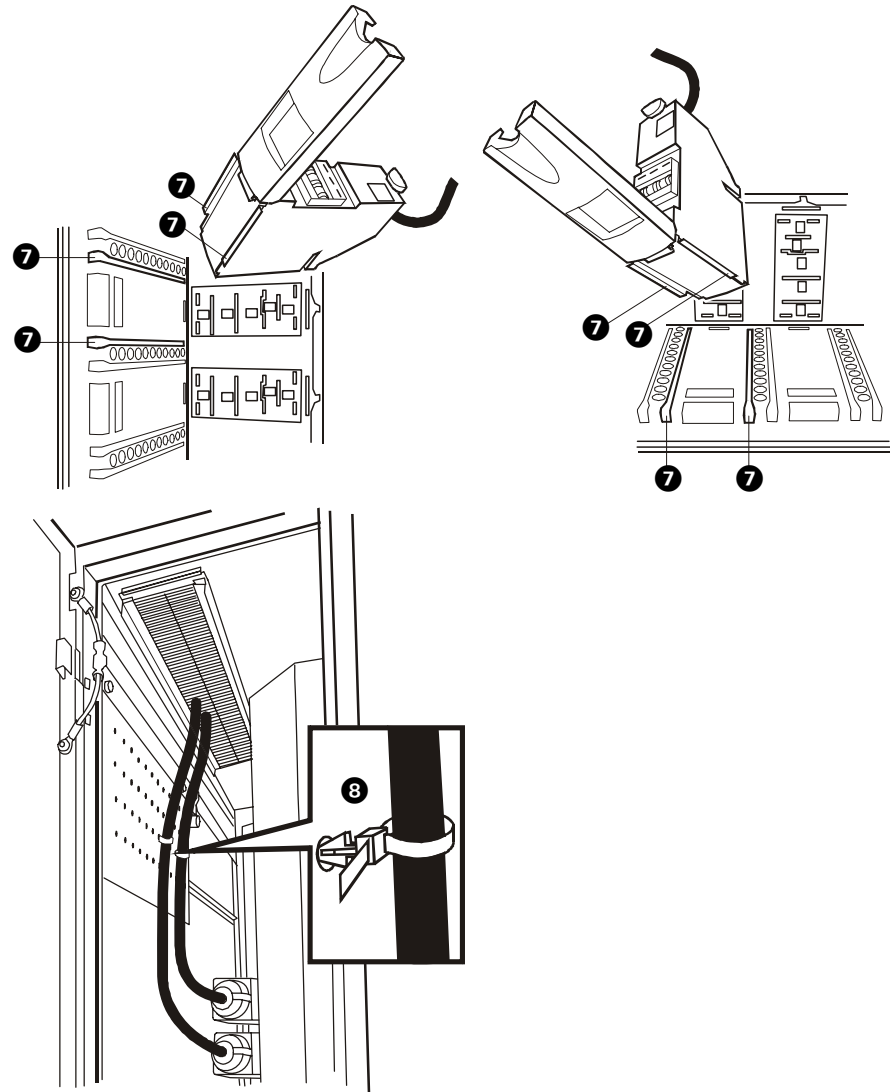


- 6 Feed the cable(s) up through the top opening in the enclosure and into the cable power troughs (if applicable) on top of enclosures.



Vertical Rack Distribution Panel

Horizontal Rack Distribution Panel

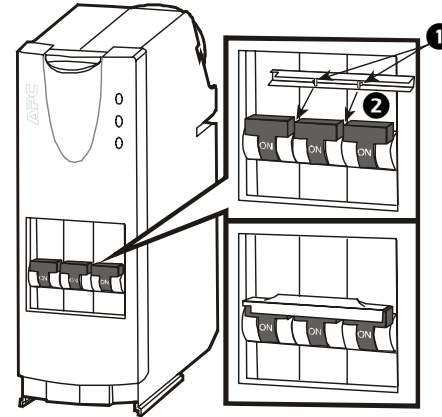


- 7 Slide the PDM all the way into the slots. Close the latch to secure the module in the busbar.
- 8 Use plastic ties to secure loose cable(s) to the enclosure. (Only in Vertical Rack Distribution Panels).
- 9 Connect the PDM cable to the load.
- 10 Turn the PDM circuit breakers ON (see the drawings on the front page of this manual).
- 11 Use the reverse procedure to remove the PDM.

How to install a PDM circuit breaker handle tie



Note: A circuit breaker handle tie has been provided for some PDMs that may require them. Check local codes.



- 1 Locate the handle tie above the circuit breaker handles aligning the two tabs between the three handles.
- 2 Push the handle tie towards the circuit breaker handles until it snaps into position. Check to make sure that the handle tie is secure.
- 3 The handle tie can be removed by pulling it from the circuit breaker handles.

Contact Information

For local, country-specific centers: go to www.apc.com/support.