

APC Symmetra RM

Operation Manual

English

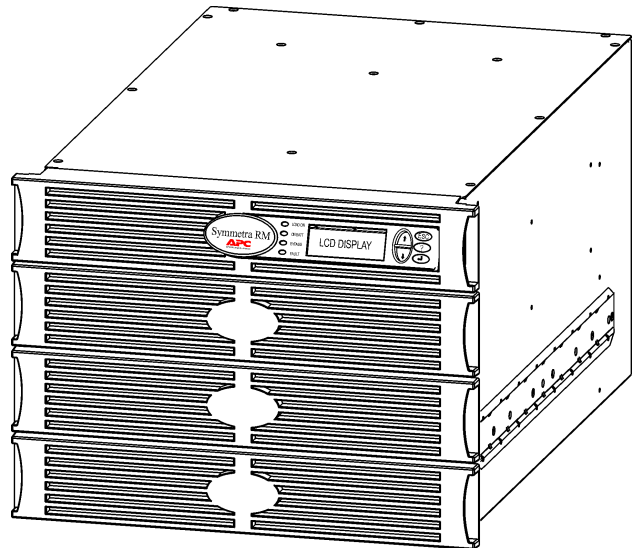
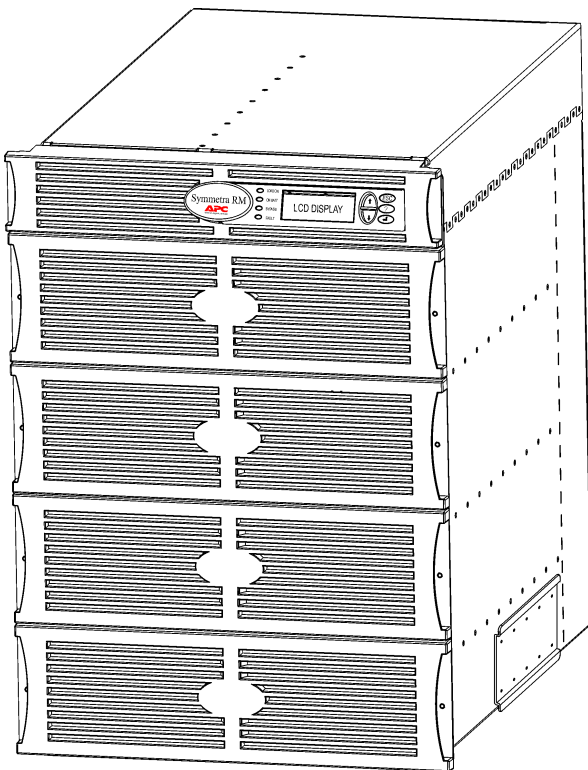


TABLE OF CONTENTS

APC Contact Numbers and Support

Visit the APC Web site for contact numbers and support at <http://www.apc.com/support>.

Battery Replacements Kits and Battery Recycling

See your dealer or visit the APC web site at <http://www.apc.com> for information on battery replacement kits and battery recycling. If returning used batteries to APC for recycling, ship used batteries in the battery replacement packing material.

Chapter 1: Overview	1
PowerView	1
Navigation.....	1
Functions.....	2
Chapter 2: Getting Started	3
Turning on the UPS	3
Powering Up the Load Equipment	4
Powering Down the Load Equipment.....	5
Bypass Operation.....	6
Language Setting	7
Chapter 3: Menu Commands	11
Command Reference	11
Accessories Menu	11
Control Menu	11
Display Menu.....	12
Diagnostics Menu	13
Help Menu	13
Logging Menu.....	13
Status Menu	14
Setup Menu	15
Chapter 4: Messages	17
Troubleshooting.....	17
Chapter 5: Maintenance	23
Service	23

TABLE OF CONTENTS

PowerView

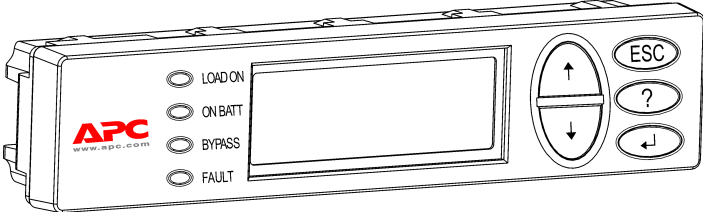


Figure 1: Typical PowerView Display

This manual contains information on how to operate the UPS using the PowerView user interface.

PowerView provides the ability to control, configure, and monitor the UPS.

Navigation

Eight (8) PowerView Display menus allow you to perform functions and commands.

Menu	Description
Control	Provides power control commands, such as Load ON and Load OFF.
Status	Displays information regarding load, battery and power modules, voltage and electrical current.
Setup	Allows the user to customize the UPS functionality.
Accessories	Allows monitoring of installed APC accessories, if they are present.
Logging	Provides ability to log system events.
Display	Allows configuration of PowerView display settings.
Diagnostics	Provides detailed information useful in troubleshooting the system.
Help	Provides access to help information.

CHAPTER 1: OVERVIEW

Functions

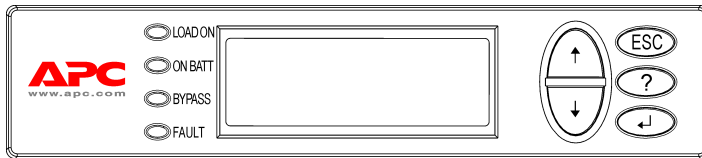


Figure 2: Display Panel

PowerView includes an alphanumeric display, navigation keys, status indicators, and an audible alarm.

The tables below describe the status indicators and how to navigate between PowerView menus.

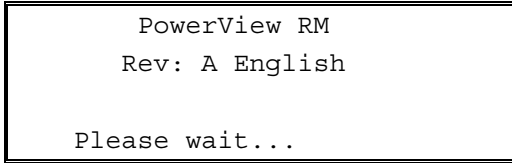
Status Indicator	Color	Status
LOAD ON	Green	The UPS is supplying power to the load. It may be operating in any one of the following modes: On-Line, On-Battery, Command-Bypass, or Maintenance.
ON BATT	Yellow	A mains power failure has occurred, and the battery modules are supplying power to the load equipment.
BYPASS	Yellow	Power to the load is being supplied directly by the mains power source. The UPS is removed from the circuit.
FAULT	Red	The UPS has detected an internal fault condition. An alarm message will appear on the PowerView display.

Navigation Keys	Name	Sound	Function
↑	Up	Short beep	Moves the selection arrow upward.
↓	Down	Short beep	Moves the selection arrow downward.
ESC	Escape	Short beep	Exits the current screen and returns to the previous screen. Programming mode only: when pressed until a short beep (up to one second) occurs, it exits the programming mode.
?	Help	Short beep	Opens context-sensitive help.
↵	Enter	Short beep	Opens the selected menu item or setting.
ESC + ? + ↵	Escape + Help + Enter	Two short beeps	When pressed simultaneously for about 1 second, resets the PowerView RM interface.
		One long beep	When pressed simultaneously for about 3 seconds, puts the interface in programming mode for installing new language program files.

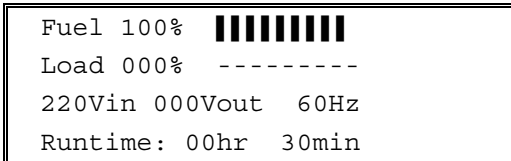
Turning on the UPS


Follow the steps below to turn ON the UPS.

❶



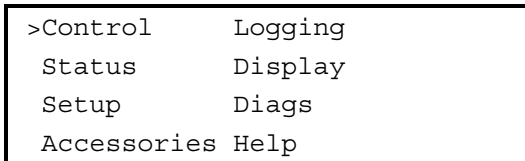
❷





- The factory default Monitoring screen is shown. Your actual screen may vary.
- After the PowerView has been inactive for 10 minutes (user settable), the display will revert to the Monitoring screen.

❸



1. Ensure that branch (mains) power is supplied to the system.
2. Check to make sure that the input circuit breaker on the UPS is turned ON.
3. Turn the System Enable switch ON. The Startup screen ❶ appears on the LCD. After initialization, the Monitoring Screen ❷ appears, providing a concise view of key operating parameters.

Fuel	Percentage of battery capacity available
Load	Percentage of power capacity used
Vin	Input voltage
Vout	Output Voltage
Hz	Output Frequency
Runtime	Runtime expected based on battery capacity and connected load

4. At the Monitoring screen, press any navigation key to open the Main Menu ❸. This menu contains items that access eight submenus.
5. To open a submenu, move the selection arrow to its item and press the ENTER key.

CHAPTER 2: GETTING STARTED

Powering Up the Load Equipment

Follow the steps below to turn ON the output of the UPS and power the load equipment.

❶

```
>Control      Logging
   Status      Display
   Setup       Diags
   Accessories Help
```

❷

```
>Turn Load On
   Do Self Test
   Simulate Power Fail
   Graceful Reboot
```

❸

```
Confirm:
   Turn UPS ON
   NO, ABORT
> YES, Turn UPS ON
```

❹

```
UPS HAS BEEN
COMMANDED TO TURN
LOAD POWER ON
```

❺

```
UPS LOAD IS ON

Press any key...
```

1. Use 'ESC' to view to Main Menu ❶, and then select CONTROL.
2. Select the TURN LOAD ON ❷ command.
3. Confirm choice by selecting YES ❸.
4. You will hear some clicking sounds and see message ❹.
5. In approximately 30 seconds, you will see message ❺, and the green LOAD ON status indicator will be ON.
The output is now ON and fully protecting the load equipment.

Powering Down the Load Equipment

Follow the steps below to turn OFF the output of the UPS and power down the load equipment.

❶

```
>Control      Logging
   Status      Display
   Setup       Diags
   Accessories Help
```

❷

```
>Turn Load Off
   Do Self Test
   Simulate Power Fail
   Graceful Reboot
```

❸

```
Confirm:
   Turn UPS OFF
   NO, ABORT
> YES, Turn UPS OFF
```

❹

```
UPS HAS BEEN
COMMANDED TO TURN
LOAD POWER OFF
```

❺

```
UPS LOAD IS OFF

Press any key...
```

1. Use 'ESC' to view to Main Menu ❶, and then select CONTROL.
2. Select the TURN LOAD OFF ❷ command.
3. Confirm choice by selecting YES ❸.
4. You will hear some clicking sounds and see message ❹.
5. In approximately 30 seconds, you will see message ❺, and the green LOAD ON status indicator will be OFF.
The output is now OFF.
6. To fully power down the UPS, turn OFF the System Enable switch, and open the input circuit breaker.



Do not install battery modules until you are ready to power up the UPS. Batteries can be permanently damaged if loaded prematurely.

CHAPTER 2: GETTING STARTED

Bypass Operation

In addition to the automatic bypass, a maintenance bypass switch is provided with the UPS. Placing this switch in bypass mode connects the load equipment to the branch circuit, even if the UPS is turned OFF.



When using the maintenance bypass, the input circuit breaker must be ON, or power will not be supplied to the Load screen.

Follow the steps below to connect directly to the branch circuit (mains) via the automatic bypass.

❶

```
>Control      Logging
Status       Display
Setup        Diags
Accessories  Help
```

1. Use 'ESC' to view to Main Menu ❶, and then select CONTROL.

2. Select the UPS INTO BYPASS ❷ command.

3. Confirm choice by selecting YES ❸.

4. You will see message ❹. In addition, the green LOAD ON and yellow BYPASS status indicators will be ON.

❷

```
>Turn Load Off
Do Self Test
Simulate Power Fail
Graceful Reboot ↓
```

```
Graceful Turn Off
Start Runtime Cal
>UPS into Bypass
```

❸

```
Confirm:
  UPS into Bypass
NO, ABORT
>YES,UPS into Bypass
```

❹

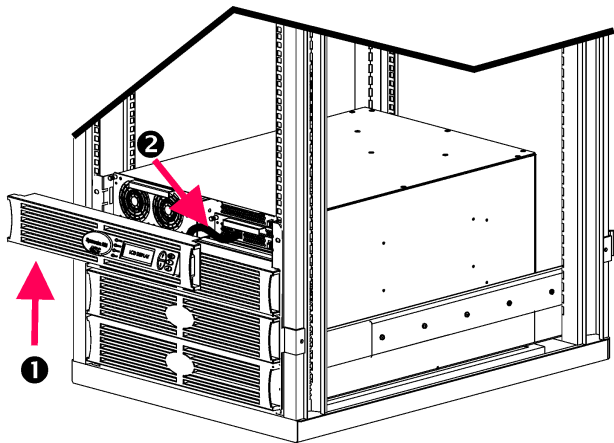
```
UPS IS BYPASSED

Press any key...
```

Language Setting

The factory default language of the user interface is English. You can change the language by downloading new firmware into the PowerView. French, German, Italian, and Spanish are available on the enclosed CD. Visit the APC web site at <http://www.apc.com> for multilingual product documentation and firmware language support.

To change the user interface language, perform the following steps.



1. Remove the PowerView Display bezel ❶ from the front of the UPS.
2. Disconnect the UPS cable ❷ from the RJ-45 port on the PowerView.

Figure 3: Shown connected to Symmetra RM 2-6 kVA

CHAPTER 2: GETTING STARTED

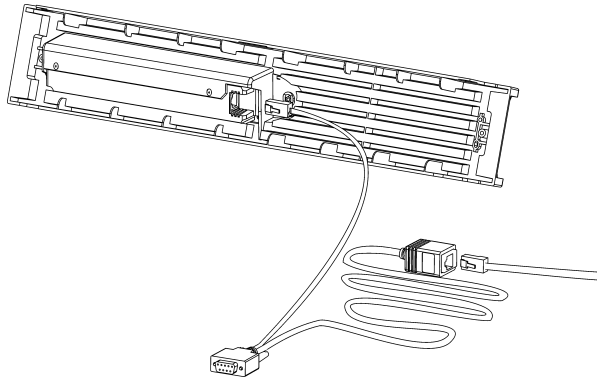


Figure 4: Typical Programming Cable

3. Connect the programming cable (included, APC part number 940-0082) between the PowerView and the UPS cable.

- Attach the RJ-45 connector to the port on the rear of the PowerView.
- Connect the female DB-9 connector of the programming cable to a serial port on the computer.

The downloading computer must have access to the files on the CD provided either with the UPS or to the APC Web site (<http://www.apc.com>).

- Attach the UPS cable to the female RJ-45 connector on the programming cable.

4. Locate the language program file to be downloaded into the UPS.

Each language program file appears on the CD under the folder of its language (français, español, etc.) with a **.bin** extension. Program files for additional language support or code updates may be available on the APC Web site.

5. Place the PowerView in programming mode by pressing simultaneously the three keys on the right (ESCAPE, HELP, and ENTER) for about three seconds, until the PowerView emits a long beep.

- The LCD will display the Programming screen.
- To leave the Programming screen before starting a file transfer (step 6), press ESC until it beeps (about one second).

CHAPTER 2: GETTING STARTED

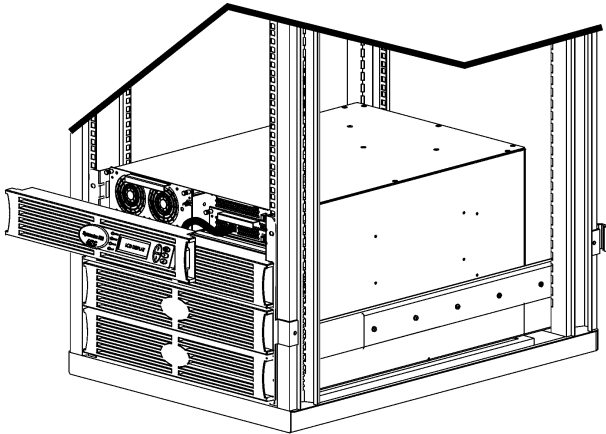


Figure 5: Shown connected to Symmetra RM 2-6 kVA

6. Start HyperTerminal or another terminal emulation program on the computer.
 - Set the communication parameters to 8 bits, no parity, no flow control, 1 stop bit, and 19,200 bps.
 - After establishing a connection, use the Xmodem protocol to transfer the language program file from the CD or your download folder to PowerView.
 - When the file transfer is complete, the PowerView will reset itself and display the Startup screen in the new language.
7. If the file transfer fails, PowerView will reset itself. Retry the file transfer by repeating steps 4 and 5.
8. Quit the terminal session.
 - Disconnect the programming cable and reconnect the UPS cable to the PowerView.
9. Align the tabs on the size of the PowerView Display bezel with the slots on the front of the UPS frame and gently snap it into place.

CHAPTER 2: GETTING STARTED

Command Reference

The following sections describe the details of each command. Commands are organized according to the menu hierarchy in the PowerView.

Accessories Menu

The Accessories menu allows you to monitor APC accessories if they are installed. Note that the PowerView must be connected to the computer interface port at the back of the UPS frame in order to monitor internal accessories.

Control Menu

Use the Control menu and its submenus to control how power flows to and from the UPS.

Menu Item	Function
Turn Load On/Off	Controls the delivery of output power to connected equipment.
Do Self Test	Initiates a system of self-testing and diagnostics. An error message is displayed when a problem is detected.
Simulate Power Fail(ure)	Simulates a power failure/return to test server's recognition of failure event.
Graceful Reboot	<p>Initiates a signal for the server to shutdown. After user-defined "Low-Battery Duration" plus "Shutdown Delay," the output power is switched off for the duration of the user-defined "Return Delay." Then the output power is switched on again. See Setup-Shutdown to set these time delays.</p> <p>PowerChute software must be used on the server for it to be properly shutdown.</p>
Graceful Turn Off	<p>Initiates a signal for the server to shut down. After the user-defined "Low-Battery Duration" plus "Shutdown Delay," the output power is switched off. Use the Setup-Shutdown menu to set these times.</p> <p>PowerChute software must be used on the server for it to be properly shutdown.</p>
Start/Stop Runtime Cal(ibration)	Calculates an accurate battery runtime measurement. Delivers load output power from battery source. Discharges battery to 50% of capacity. Battery capacity must be at 100% to execute this test.
UPS into/out of Bypass	Controls the bypass function. When in the bypass mode, power is delivered directly from utility source to load equipment.

CHAPTER 3: MENU COMMANDS

Display Menu

The Display menu lets the user customize the PowerView display.

Display		Function	Options
Date/Time		Sets the correct date and time.	dd:mmm:yyyy
Password		Protects against unauthorized configuration changes.	
	Password	Sets a password.	Valid characters include: A–Z, or 0–9; type ‘_’ to complete.
	Timeout	Sets the inactivity timer.	1, 2, 5, 10(default); 30 minutes; 1, 2, or 4 Hours; or Forever
	Invalidate	Puts password into effect. Prevents unauthorized changes to the UPS configuration.	
Information		Displays PowerView model number, serial number, date of manufacture, and revision information.	
Beeper		Sets audible alarm (beeper) criteria.	
	At UPS	Not used with the UPS.	
	At Display	Sets parameters for the audible alarm in the PowerView.	Power Failure, Power Failure +30 seconds, Low Battery, or Never
	Volume	Sets audible alarm volume.	Off, Low(default), Medium, or High
	Click	Sets sound when pressing display buttons.	On(default), Off
Contrast		Sets LCD screen contrast.	1, 2, 3, 4, or 5
Configure		Customizes the information displayed on the Startup screen.	Use factory defaults when possible.

Diagnostics Menu

The Diagnostics menu provides information for use in troubleshooting.

Menu Item	Function
Fault and Diagnostics	Displays current system fault and diagnostic information of that fault.
(Main) Intelligence Module	Displays detailed intelligence module status and information.
Redundant Intelligence Module	Displays detailed redundant intelligence module status and information.
Power Modules	Displays detailed power module status and information.
Batteries	Displays detailed battery module status and information.

Help Menu

To access PowerView online help screens, press the SCROLL UP and SCROLL DOWN keys simultaneously to access context sensitive help.

Logging Menu

The Logging menu lets you customize the UPS log.

Menu Item	Function								
View Log	Logs the most recent 64 events. Point to an entry and press the ENTER key for more information on that event.								
View Statistics	Records the total number of transfers to battery, low battery, faults, and on-battery runtime events.								
Configure Logging	Allows different types of events to be included or excluded from the log. Event types include Power Events, UPS Controls, UPS Faults, and User Activity.								
<table border="1" style="width: 100%; border-collapse: collapse;"> <tr> <td style="width: 20px;"></td> <td>Power Events</td> </tr> <tr> <td></td> <td>UPS Controls</td> </tr> <tr> <td></td> <td>UPS Faults</td> </tr> <tr> <td></td> <td>User Activity</td> </tr> </table>		Power Events		UPS Controls		UPS Faults		User Activity	On (default), Off
	Power Events								
	UPS Controls								
	UPS Faults								
	User Activity								
<table border="1" style="width: 100%; border-collapse: collapse;"> <tr> <td style="width: 20px;"></td> <td>UPS Control Events</td> </tr> <tr> <td></td> <td>User Activities</td> </tr> <tr> <td></td> <td>UPS Fault Events</td> </tr> <tr> <td></td> <td>MeasureUPS Events</td> </tr> </table>		UPS Control Events		User Activities		UPS Fault Events		MeasureUPS Events	
	UPS Control Events								
	User Activities								
	UPS Fault Events								
	MeasureUPS Events								

CHAPTER 3: MENU COMMANDS

Logging Menu (continued)

Menu Item		Function
List Event Groups		Lists the specific events in each group.
	Power Events	
	UPS Control Events	
	User Activities	
	UPS Fault Events	
	MeasureUPS Events	
Clear Log		Clears the view log. Does not clear the active event lists.

Status Menu

The Status menu displays information regarding load, battery and power modules, voltage, and electrical current.

Menu Item	Function
Ø Vin Vout Iout	Displays input voltage, output voltage, and output current information.
% load assuming no redundancy	Compares the current load to the total capacity of all power modules.
% load allowing for n+ redundancy	Compares the current load to the total capacity of all power modules except the power modules that are set aside by the "Fault Tolerance" alarm threshold. For example, if there are four power modules installed, and the fault tolerance alarm threshold is set to "1," this percentage of load uses only 3 power modules for the calculation. See Setup-Alarms to set the redundancy level.
Frequencies	Displays the measured input and output frequencies.
Battery Status Screen	Displays battery module source capacity, runtime, and status information.
Power Module Status Screen	Displays power module source capacity, fault tolerance, and status information.
Alarm Thresholds Status Screen	Displays the user-defined alarm settings. See Setup-Alarms to set these alarm thresholds.
Miscellaneous Status Screen	Displays the summary result Self Test, Last System Transfer, Operating Mode, and status of Intelligence and redundant intelligence modules.

CHAPTER 3: MENU COMMANDS

Setup Menu

The Setup menu lets the user customize the UPS functionality.

Menu Item		Function	Options
Shutdown		Sets the shutdown parameters in the event of a utility power failure.	None
	Low Batt(ery) Dur(ation)	Sets the number of minutes an audible alarm sounds before the UPS shuts down due to battery exhaustion.	2(default), 5, 7, 10, 12, 15, 18, or 20 minutes
	Shutdown Delay	Sets the additional runtime for computer issuing shutdown command if it needs additional time to shut itself down.	0, 20(default), 60, 120, 240, 480, 720, or 960 seconds
	Return Delay	Sets the delay interval that allows utility power to stabilize before the system goes back online after a utility power failure.	0(default), 20, 60, 120, 240, 480, 720, or 960 seconds
	Return Battery Capacity	Sets the minimum battery capacity necessary before repowering the load when returning from an extended utility power failure.	0(default), 15, 25, 35, 50, 60, 75, or 90 seconds
Defaults		Sets all settings to factory defaults.	
Output Freq(ueency)		The UPS output will phase lock to the input within this range.	50 ± 3 Hz, 60 Hz ± 3 Hz, Full Range Tracking

CHAPTER 3: MENU COMMANDS

Setup Menu (continued)

Menu Item		Function	Options
Alarms		Sets the alarm thresholds.	None
	Redundancy	An audible alarm sounds if the redundancy falls below this level.	0(default), 1, or 2
	Load	An audible alarm sounds when the load exceeds this limit. (Upper value is limited by the maximum power of the UPS.)	Never(default), 1, 2, 3, 4, 5, 6, 7, 8, 9, 10, or 12 kVA
	Runtime	An audible alarm sounds if the available runtime falls below this level (Hours:min).	0:0(default),5m, 10m, 15m, 30m, 45m,1h, 2h, 3h, 4h, 5h, 6h, 7h, or 8h
Bypass		In the unlikely event that both the UPS fails and the input voltage or line frequency is outside of normal range, this option lets you choose to go into Bypass mode or drop the load.	Go to Bypass or Drop Load
Copy		Not used with this UPS.	
Other		Remaining user-defined settings.	
	Self Test	The UPS can automatically test itself at this user-specified interval.	At Power On, 7 days, 14 days(default) , or Disabled
	UPS ID	Assigns an eight-character text string to a system.	
	Output	Sets output voltage. Selection depends upon system configuration.	200V, 208V, 220V, 230V, or 240V
	Vout Reporting	Reports the most significant output voltage.	Auto

Troubleshooting

The PowerView reports various messages on the display, including alarm status and changes in system configuration. This section lists all the PowerView display messages, what each means, and an appropriate corrective action.

Contact APC Technical Support Staff for assistance with complex UPS problems. Refer to the APC Web site at <http://www.apc.com/support> for a location near you.

More than one of these messages may occur at one time. If this happens, be sure to review all of the messages for a better understanding of the system condition.

	PowerView Message	Meaning	Corrective Action
Start-Up	#Pwr modules changed since last ON.	At least one power module has been added or removed from the UPS since the last time the Pwr ON command was issued.	No corrective action necessary. Proceed with the startup.
	#Batteries changed since last ON.	At least one battery module has been added or removed from the UPS since the last time the Pwr ON command was issued.	
	No Redundant Intelligence Module.	There is no RIM installed.	Proceed with the startup or abort the startup and install a RIM. <i>Note: Without a functioning RIM, there is no redundancy in the event of a MIM failure.</i>
	Batt capacity less than Return Batt Cap.	The battery capacity of the UPS is less than the user specified minimum battery capacity required to turn on the load.	Option 1: Abort the startup and allow batteries to recharge. Option 2: Continue startup, with less than minimum battery capacity.
	Input Freq outside configured range.	The input frequency to the UPS is outside the configured range. The output frequency will not synchronize with the input frequency. Normal bypass is not available. The system will start on-battery.	Option 1: Improve the frequency of the incoming voltage. Option 2: Widen the range of the acceptable incoming frequency with the PowerView. (Startup>Setup>OuputFreq) Option 3: Proceed with startup. Normal bypass is not available and system may start on battery power.

CHAPTER 4: MESSAGES

	PowerView Message	Meaning	Corrective Action
Start-Up (continued)	AC adequate for UPS but not for bypass.	The UPS will function on-line with the input voltage, but in the event that bypass is required, the input voltage is not adequate to power the load equipment.	Option 1: Improve the incoming voltage. Option 2: Proceed with startup. Normal bypass is not available.
	Low/No AC input, startup on battery.	Input voltage is not adequate to start the UPS. If startup proceeds, the UPS will function from battery.	Option 1: Abort startup until acceptable input voltage is present. Option 2: Proceed with startup. Battery will be discharged.
General Status	# of batteries increased.	At least one battery module has been added to the system.	No corrective action necessary.
	# of batteries decreased.	At least one battery has been removed from the system.	
	# of Pwr Modules increased.	At least one power module has been added from the system.	
	Intelligence Module inserted.	A MIM has been installed into the UPS.	
	Intelligence Module removed.	A MIM has been removed from the UPS.	
	Redundant Intelligence Module inserted.	A RIM has been installed into the UPS.	
	Redundant Intelligence Module removed.	A RIM has been removed from the UPS.	
	# of External Battery Cabinets increased.	At least one external battery cabinet has been connected to the frame.	
	# of External Battery Cabinets decreased.	At least one external battery cabinet has been disconnected from the UPS.	

CHAPTER 4: MESSAGES

	PowerView Message	Meaning	Corrective Action
General Status (continued)	Redundancy Restored.	Power module redundancy loss occurred and was restored. Either additional modules have been installed or the load has been reduced.	No corrective action necessary.
	Load is No Longer above Alarm Threshold.	The load exceeded the load alarm threshold. The situation has been corrected because either the load decreased or the threshold was increased.	
	Min Runtime restored.	The system runtime dropped below the configured minimum runtime and was restored. Either additional battery modules were installed, the existing battery modules were recharged, the load was reduced, or the threshold was raised.	
Module Failure	Bad Battery Module.	A battery module failed and requires replacement.	Refer to module replacement procedure SYMMETRA RM INSTALLATION MANUAL.
	Bad Power Module.	A power module failed and requires replacement.	
	Intelligence Module is installed and failed.	The MIM failed and requires replacement.	
	Redundant Intelligence Module is installed and failed.	The RIM failed and requires replacement.	
Threshold Alarm	Load is above kVA alarm threshold.	The load has exceeded the user specified load alarm threshold.	Option 1: Reduce the load. Option 2: Use the PowerView interface to raise the alarm threshold.
	Redundancy has been lost.	The UPS no longer detects redundant power modules. Either power module(s) failed or the load increased.	Option 1: If possible, install additional power modules. Option 2: Decrease the load. Option 3: Disable the redundancy alarm by setting redundancy to zero. (Startup>Setup>Alarms>Redundancy>Zero)

CHAPTER 4: MESSAGES

	PowerView Message	Meaning	Corrective Action
Threshold Alarm (continued)	Redundancy is below alarm threshold.	Actual power module redundancy has fallen below the user specified redundancy alarm threshold. Either power module(s) failed or the load has increased.	Option 1: If possible, install additional power modules. Option 2: Decrease the load. Option 3: Use the PowerView to decrease the redundancy alarm threshold. (Startup>Setup>Alarms>Redundancy)
	Runtime is below alarm threshold.	The predicted runtime is lower than the user specified for the minimum runtime alarm threshold. Either the battery capacity has decreased or the load increased.	Option 1: Allow the battery modules to recharge. Option 2: If possible, increase the number of battery modules. Option 3: Decrease the load. Option 4: Use the PowerView to decrease the minimum runtime alarm threshold. (Startup>Setup>Alarms>Runtime)
Bypass	Bypass is not in range (either freq or voltage).	The frequency and/or voltage are out of acceptable range for bypass. This message occurs when the UPS is online and indicates that the bypass mode may not be available if required. The system may start on-battery.	Option 1: Decrease the sensitivity to input frequency. (Startup>Setup>OutputFreq) Option 2: Correct input voltage to provide acceptable voltage and/or frequency.
	Bypass contactor stuck in bypass position.	The UPS is positioned in the bypass position and cannot go on-line.	Call your contract service provider or APC Technical Support.
	Bypass contactor stuck in on-line position.	The UPS is positioned in the on-line position and cannot go to bypass.	
	UPS in bypass due to internal fault.	The UPS has transferred to bypass mode because a fault has occurred.	
	UPS in bypass due to overload.	The load exceeded the system power capacity. The UPS has switched to bypass mode.	Option 1: Decrease the load. Option 2: If possible, add power modules to the system.
	System is in Maintenance Bypass.	The UPS is in bypass because the maintenance bypass switch is in the On position.	No corrective action necessary.

CHAPTER 4: MESSAGES

	PowerView Message	Meaning	Corrective Action
General Fault	On Battery.	The UPS is in the on-battery mode. The battery modules are being discharged.	No corrective action is necessary. Note: Runtime is limited in duration. Prepare to shutdown the UPS and the load equipment, or restore incoming voltage.
	Need Bat Replacement.	One or more battery modules are in need of replacement.	Refer to module replacement procedure.
	UPS Fault.	A fault occurred in a power module. The UPS Fault message always occurs when there is a bad power module failure message.	Call your contract service provider or APC Technical Support.
	Shutdown or unable to transfer to Batt due to overload.	The UPS has shutdown because an overload occurred and bypass is not available.	Option 1: Reduce the load to eliminate overload. Option 2: If possible, add power modules to eliminate overload. Option 3: Replace failed power modules to eliminate overload. Note: If bypass is not available because of a power failure, wait for power to be restored. If there is a utility problem, have it corrected.
	Load Shutdown from Bypass. Input Freq/Volts outside limits.	The UPS shut the load down while it was on bypass, because the input power went out of acceptable range.	Correct the input voltage problem.
	Fault, Battery Charger Failure.	The battery charger in one or more power module(s) failed.	Refer to module replacement procedure.
	Fault, Bypass Relay Malfunction.	The bypass relay has malfunctioned.	Call your contract service provider or APC Technical Support.
	Fault, Internal Temp exceeded normal limits.	The temperature of one or more battery modules is too hot.	Replace overheated module. Refer to module replacement procedure.

CHAPTER 4: MESSAGES

	PowerView Message	Meaning	Corrective Action
General Fault (continued)	Input circuit breaker tripped open.	The input circuit breaker on the UPS tripped open. Input voltage is disconnected to the UPS.	Option 1: If this occurs in conjunction with an overload condition, decrease the load and reset the breaker. Option 2: If no overload condition exists, reset breaker. If it trips open again, call your contract service provider or APC Technical Support.
	System level fan failed.	A cooling fan in the UPS frame failed.	Call your contract service provider or APC Technical Support.
	The Redundant Intelligence Module (RIM) is in control.	The MIM failed, and the RIM is functioning as the primary intelligence module.	Replace the intelligence module. Refer to module replacement procedure.
	IIC inter-module communications failed.	The communications between the MIM and at least one other module failed.	Call your contract service provider or APC Technical Support.

Service

If the UPS requires service, do not return it to the dealer! Follow these steps:

1. Review the problems discussed in the *Messages* chapter to eliminate common problems.
2. Verify that no circuit breakers are tripped. A tripped circuit breaker is the most common UPS problem!
3. If the problem persists, call customer service or visit the APC Internet Website at <http://www.apc.com/support>.
 - Note the model number of the UPS, the serial number, and the date purchased. A technician will ask you to describe the problem and try to solve it over the phone, if possible. If this is not possible, the technician will issue a Returned Material Authorization Number (RMA#).
 - If the UPS is under warranty, repairs are free. If not, there is a repair charge.
4. Pack the UPS in its original packaging. If the original packing is not available, ask customer service about obtaining a new set. Visit the APC web site at <http://www.apc.com/support> for customer support telephone numbers.
5. Pack the UPS properly to avoid damage in transit. Never use polystyrene beads for packaging. Damage sustained in transit is not covered under warranty.
6. Mark the RMA# on the outside of the package.

CHAPTER 5: MAINTENANCE