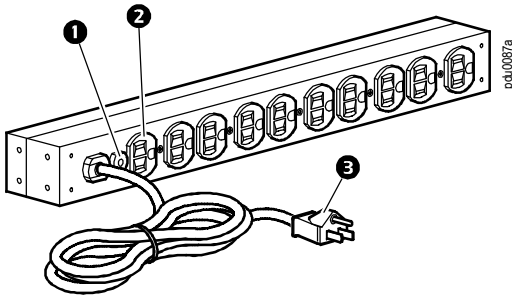


## Basic Rack Power Distribution Units (AP9562, AP9563, AP9564)—Installation Instructions and Specifications

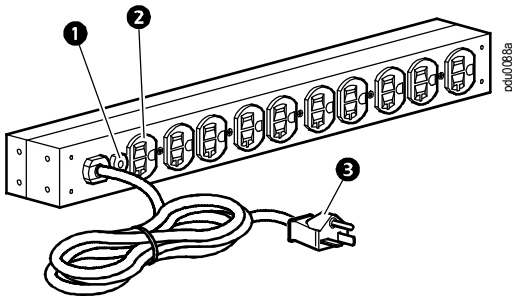
### Overview

#### 1 U, 15 A, 120 V, 5-15 (10) Basic Rack PDU (AP9562)



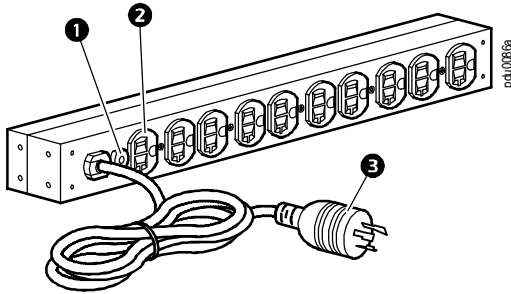
- ❶ One 15-amp circuit breaker
- ❷ Ten NEMA 5-15 outlets
- ❸ 3.66-m (12-ft) NEMA 5-15 power cord

#### 1 U, 20 A, 120 V, 5-20 (10), 5-20P Basic Rack PDU (AP9563)



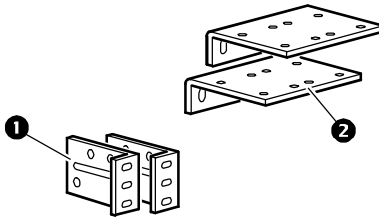
- ❶ One 20-amp circuit breaker
- ❷ Ten NEMA 5-20 outlets
- ❸ 3.66-m (12-ft) NEMA 5-20 power cord

## 1 U, 20 A, 120 V, 5-20 (10), L5-20P Basic Rack PDU (AP9564)



- ❶ One 20-amp circuit breaker
- ❷ Ten NEMA 5-20 outlets
- ❸ 3.66-m (12-ft) NEMA L5-20 power cord

### Mounting brackets



- ❶ Brackets for horizontal mounting
- ❷ Brackets for vertical mounting

**Note:** Each rack PDU packaged with two types of mounting brackets (for horizontal and vertical mounting). Choose your mounting orientation and attach the appropriate brackets to the PDU for installation.

# Safety and Grounding

Read the following information before installing or operating your rack power distribution unit (PDU):

## DANGER

### HAZARD OF ELECTRIC SHOCK, EXPLOSION, OR ARC FLASH

- This PDU is intended for indoor use only.
- Do not install this PDU where excessive moisture or heat is present.
- Never install any wiring, equipment, or PDUs during a lightning storm.
- Plug this PDU into a three-wire, grounded power outlet only. The power outlet must be connected to appropriate branch circuit/mains protection (fuse or circuit breaker). Connection to any other type of power outlet may result in a shock hazard.
- Use only the supplied brackets for mounting, and use only the supplied hardware to attach the mounting brackets.
- Do not use extension cords or adapters with this PDU.
- Do not work alone under hazardous conditions.
- Check that the power cord, plug, and socket are in good condition.
- Disconnect the PDU from the power outlet before you install or connect equipment to reduce the risk of electric shock when you cannot verify grounding. Reconnect the PDU to the power outlet only after you make all connections.
- Use a protective earth connector with equipment. This type of connector carries the leakage current from the load devices (computer equipment). Do not exceed a total leakage current of 3.5 mA.

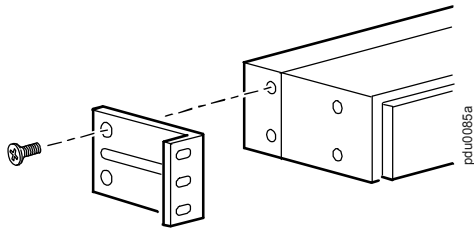
**Failure to follow these instructions will result in death or serious injury.**

# Installation

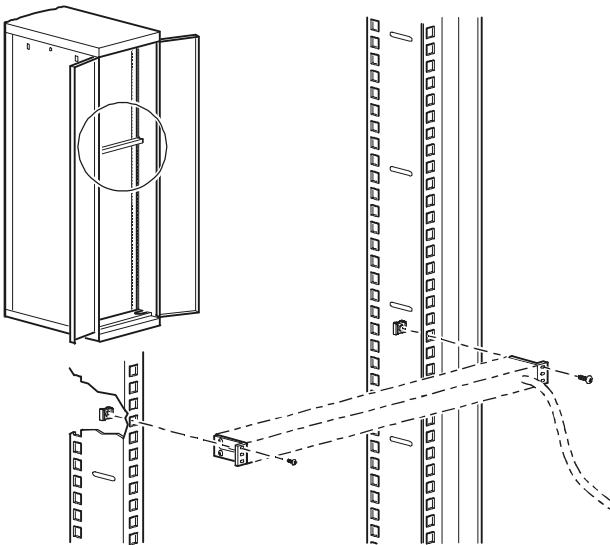
## Horizontal mounting (any standard 19-inch EIA/ECA-310 rack or enclosure)

Install the PDU in a NetShelter<sup>®</sup> or any standard 19-inch EIA/ECA-310 rack or enclosure, using the mounting brackets (provided).

1. Attach the horizontal-mounting brackets to the PDU.



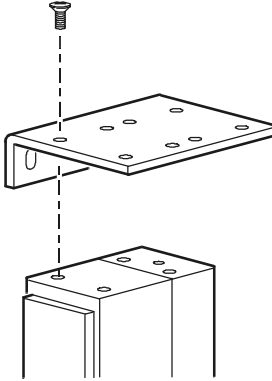
2. Install the PDU using hardware included with your rack or enclosure. The PDU will occupy one U-space.



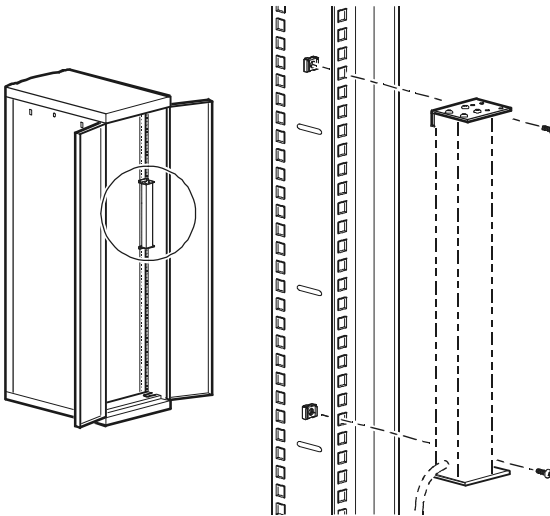
## Vertical mounting (any standard EIA-310 rack or enclosure)

Install the PDU in a NetShelter or any standard 19-inch EIA-310 rack or enclosure, using the mounting brackets (provided).

1. Attach the vertical-mounting brackets to the PDU.



2. Install the PDU on a vertical mounting rail in your rack or enclosure.



# Specifications

	AP9562	AP9563	AP9564
<b>Electrical</b>			
Input voltage range	100–120 V		
Maximum current draw (UL derated)	12 A	16 A	16 A
<b>Physical</b>			
Size (h×w×d)	44×447×57 mm (1.76×17.60×2.25 in)		
Shipping size (h×w×d)	70×464×229 mm (2.75×18.25×9.00 in)		
Weight	2.50 kg (5.50 lb)		
Shipping weight	3.64 kg (8.00 lb)		
<b>Environmental</b>			
Elevation (above MSL)	Operating: 0–3000 m (0–10,000 ft) Storage: 0–15 000 m (0–50,000 ft)		
Relative humidity	Operating: 0 to 95%, non-condensing Storage: 0 to 95%, non-condensing		
Temperature	Operating: –5 to 45° C (23 to 113° F) Storage: –25 to 65° C (–13 to 149° F)		
<b>Compliance</b>			
Safety	cULus Listed		

# Warranty

## Limited warranty

APC warrants the Rack Power Distribution Unit to be free from defects in materials and workmanship for a period of two years from the date of purchase. Its obligation under this warranty is limited to repairing or replacing, at its own sole option, any such defective products. This warranty does not apply to equipment that has been damaged by accident, negligence, or misapplication or has been altered or modified in any way. This warranty applies only to the original purchaser.

## Warranty limitations

**Except as provided herein, APC makes no warranties, expressed or implied, including warranties of merchantability and fitness for a particular purpose.** Some jurisdictions do not permit limitation or exclusion of implied warranties; therefore, the aforesaid limitation(s) or exclusion(s) may not apply to the purchaser.

**Except as provided above, in no event will APC be liable for direct, indirect, special, incidental, or consequential damages arising out of the use of this product, even if advised of the possibility of such damage.**

Specifically, APC is not liable for any costs, such as lost profits or revenue, loss of equipment, loss of use of equipment, loss of software, loss of data, costs of substitutes, claims by third parties, or otherwise. This warranty gives you specific legal rights and you may also have other rights, which vary according to jurisdiction.

Customer support and warranty information is available at the APC Web site,  
**[www.apc.com](http://www.apc.com)**.

© 2011 APC by Schneider Electric. All trademarks are owned by Schneider Electric  
Industries S.A.S., American Power Conversion Corporation, or their affiliated  
companies.

**990-1215C**  
**5/11**