

# Mini-Com® Modular Patch Panels with Faceplates

# PANDUIT®

SPECIFICATION SHEET

## specifications

Modular patch panels shall consist of a metal panel with molded snap-in faceplates which can be front releasable. Patch panels shall accept all Mini-Com® modules for UTP, STP, fiber, or A/V applications and shall mount to standard 19" racks. Patch panels shall be available in 24 and 48-port standard density and 72-port high density. Angled patch panels shall be designed at an optimum angle to help route the cable.



## technical information

<b>Mounting options:</b>	Mounts to standard EIA 19" racks or 23" racks with optional extender brackets
<b>Material:</b>	Stamping is CRS and faceplate is ABS
<b>Packaging:</b>	Packaged with appropriate pre-installed snap-in faceplates, a set of mounting screws (#12-24 and M6), and label/label cover where applicable

## key features and benefits

<b>Removable faceplates</b>	Allow front accessibility to installed modules for easy moves, adds, and changes
<b>Modular</b>	Accepts all Panduit Mini-Com® Modules to mix and match media types in the same panel
<b>Angled design</b>	Allows cable to flow to each side of the rack and minimizes the need for horizontal cable managers by enabling patch cords to be routed directly into vertical cable managers which leads to increased closet density
<b>Recessed design</b>	Eliminates patch cord interference with cabinet doors and improves bend radius protection
<b>Optional label</b>	Available with and without labels to accommodate various needs
<b>Optional strain relief bars</b>	Help support and manage cables
<b>Optional filler panels</b>	Fill unused rack openings to provide a clean and consistent look
<b>High density</b>	More modules per rack space

## applications

Mini-Com® Modular Patch Panels are ideal for multi-media applications; they accept all Mini-Com® Modules, which can be accessed through the front of the panel to snap in and out for easy moves, adds, and changes. Various styles and port densities available to fit most needs; labeling feature available on

select styles. Angled patch panels are available for applications in which rack space is limited. The design allows cable to flow to each side of the rack, minimizing the need for horizontal cable managers and increasing the density of the rack space.

### Patch Panels with Labels

24-port, 1 RU, includes six CFFPL4 faceplates:	CPPL24WBLY
48-port, 2 RU, includes twelve CFFPL4 faceplates:	CPPL48WBLY
24-port, 1 RU, includes four CFPLM6BL faceplates:	CPPL24M6BLY
48-port, 2 RU, includes eight CFPLM6BL faceplates:	CPPL48M6BLY
72-port, 2 RU (high-density), includes six 12-port faceplates:	CPPL72WBLY

### Patch Panels without Labels

24-port, 1 RU, includes six CFFP4 faceplates:	CPP24WBLY
48-port, 2 RU, includes twelve CFFP4 faceplates:	CPP48WBLY

### Angled Patch Panels with Labels

24-port, 1 RU, includes six CFFPL4 faceplates:	CPPLA24WBLY
48-port, 2 RU, includes twelve CFFPL4 faceplates:	CPPLA48WBLY
72-port, 2 RU (high-density), includes six 12-port faceplates:	CPPLA72WBLY

### Recessed Patch Panels with Labels

24-port, 1 RU, includes six CFFPL4 faceplates:	CPPL24WRBLY
48-port, 2 RU, includes twelve CFFPL4 faceplates:	CPPL48WRBLY

### Label Options for Patch Panels with CFFPL4 and CFFP4 Faceplates

Laser/ink Jet:	C261X035Y1J
TDP43ME:	C261X035Y1T
PanTher™ LS8E:	C261X035Y1C
Cougar LS9:	T038X000FJC-BK

### Label Options for Patch Panels with CFPLM6BL Faceplates

Laser/ink Jet:	C390X030Y1J
TDP43ME:	C390X030Y1T
PanTher™ LS8E:	C390X030Y1C
Cougar LS9:	T031X000FJC-BK

### Strain Relief Bars

Straight:	SRBS19BL-XY
Extended, 2":	SRB19BLY
With hook and loop ties:	SRBM19BLY
With adjustable clips:	SRBWCY
Deep, 5":	SRB19D5BLY
Deep, 7":	SRB19D7BLY
Multi-depth:	SRB19MDBL

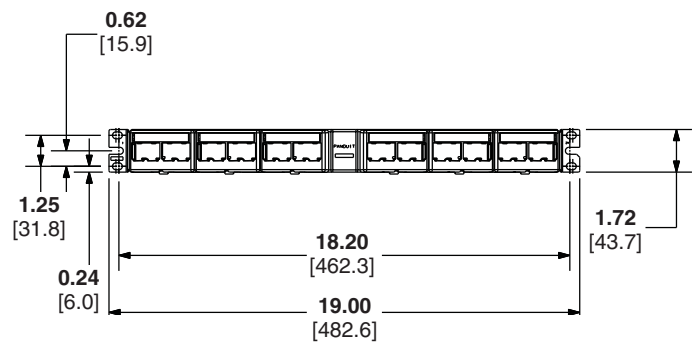
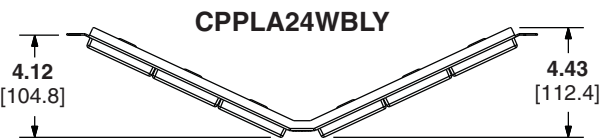
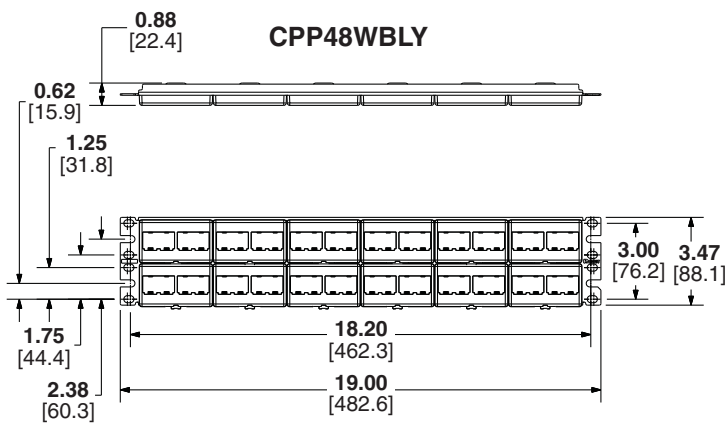
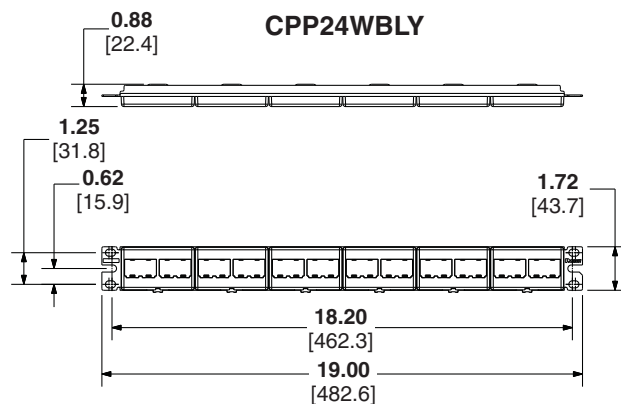
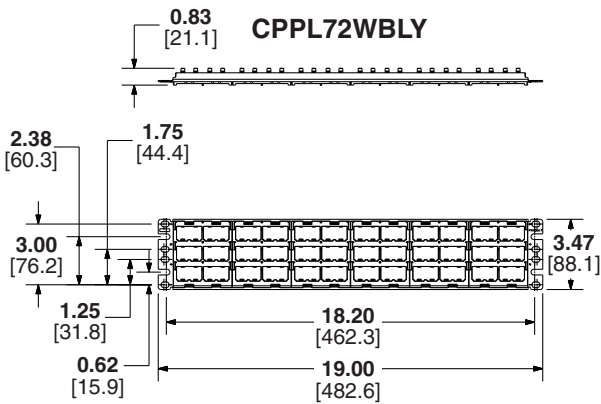
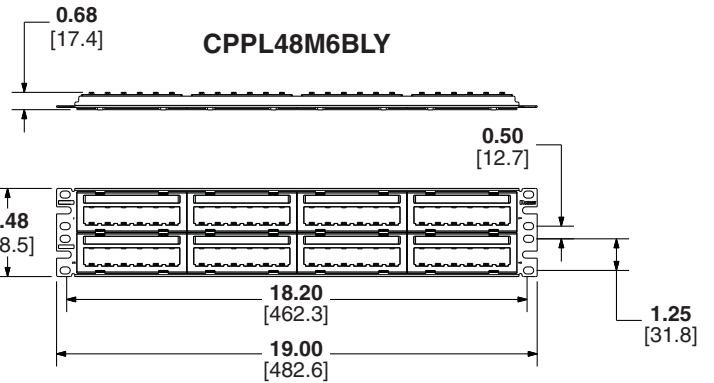
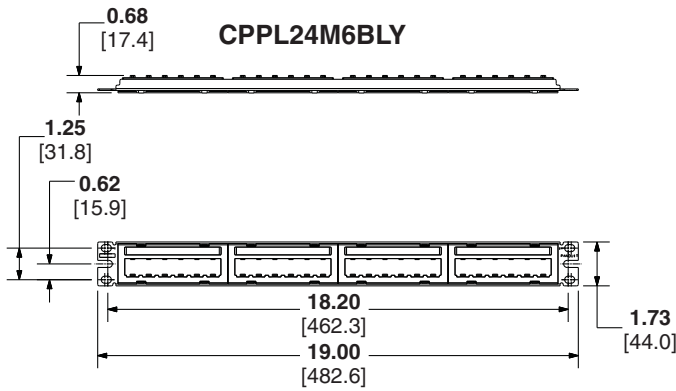
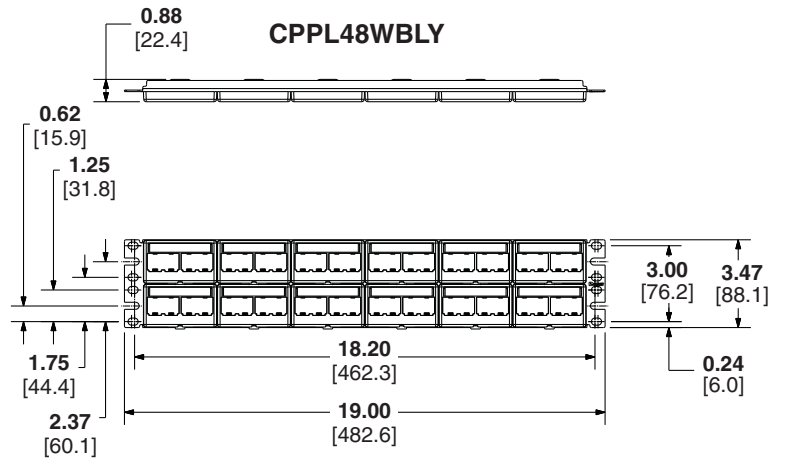
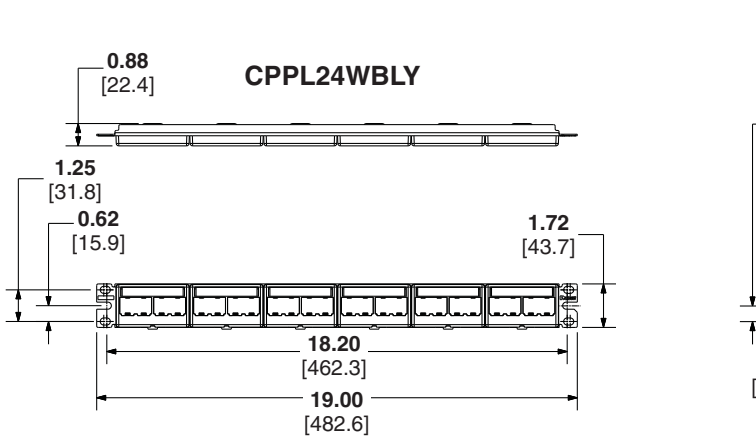
### Rack Filler Panels

See [www.Panduit.com](http://www.Panduit.com) or catalog for rack filler panel options.

### Extender Brackets

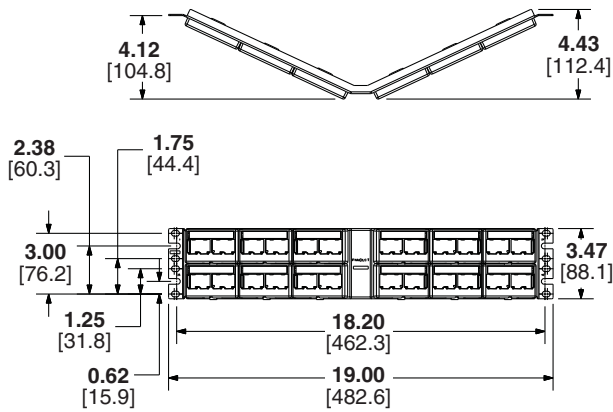
1 RU:	PEB1
2 RU:	PEB2

# Mini-Com® Modular Patch Panels with Faceplates

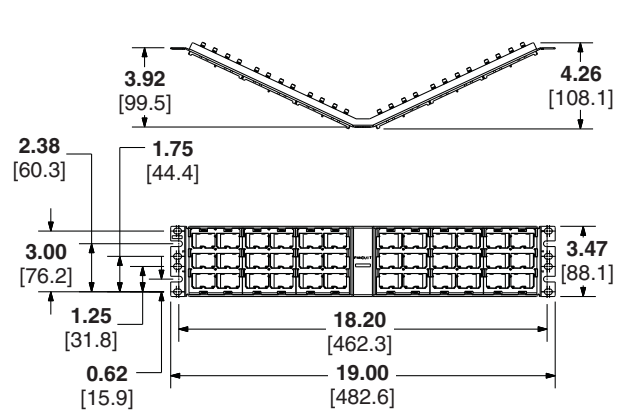


# Mini-Com® Modular Patch Panels with Faceplates

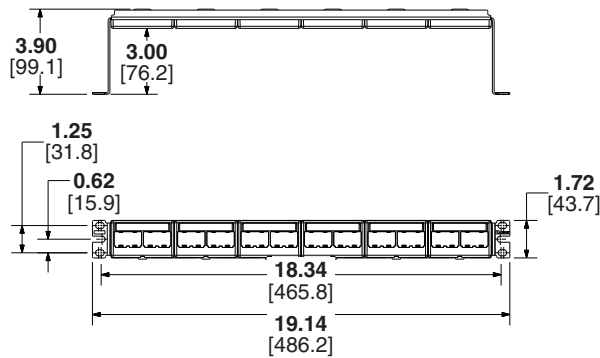
**CPPLA48WBLY**



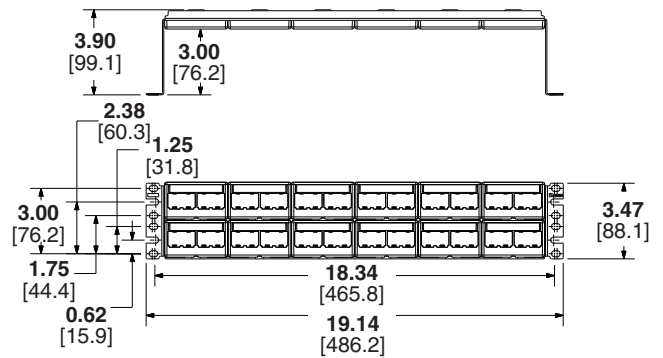
**CPPLA72WBLY**



**CPPL24WRBLY**



**CPPL48WRBLY**



## WORLDWIDE SUBSIDIARIES AND SALES OFFICES

PANDUIT CANADA  
Markham, Ontario  
cs-cdn@panduit.com  
Phone: 800.777.3300

PANDUIT EUROPE LTD.  
London, UK  
cs-emea@panduit.com  
Phone: 44.20.8601.7200

PANDUIT SINGAPORE PTE. LTD.  
Republic of Singapore  
cs-ap@panduit.com  
Phone: 65.6305.7575

PANDUIT JAPAN  
Tokyo, Japan  
cs-japan@panduit.com  
Phone: 81.3.6863.6000

PANDUIT LATIN AMERICA  
Guadalajara, Mexico  
cs-la@panduit.com  
Phone: 52.33.3777.6000

PANDUIT AUSTRALIA PTY. LTD.  
Victoria, Australia  
cs-aus@panduit.com  
Phone: 61.3.9794.9020

For a copy of Panduit product warranties, log on to [www.panduit.com/warranty](http://www.panduit.com/warranty)

For more information

Visit us at [www.panduit.com](http://www.panduit.com)

Contact Customer Service by email: [cs@panduit.com](mailto:cs@panduit.com)  
or by phone: 800.777.3300 and reference OTSP23

**PANDUIT®**

© 2011 Panduit Corp.  
ALL RIGHTS RESERVED.

WW-OTSP23

10/2011