

PanView iQ™ (PViQ™) Patch Panels

PANDUIT®

SPECIFICATION SHEET

specifications

The modular patch panel shall offer the choice of an installation that is fully intelligent or “intelligent ready” for future upgrades. The modular patch panel design shall accommodate copper RJ45 jack modules. The front of the panel shall include multi-colored LEDs located above each port that indicate the connectivity status, as well as multi-functional push buttons (when intelligence modules have been connected) for diagnostic and configuration navigation. The panel shall offer a “common” method for labeling in compliance with TIA/EIA 606-A labeling standards. The modular patch panel shall be available in both flat and angled versions.



technical information

Dimensions:	Flat: 1.72"H x 19.0"W x 1.23"D (43.7mm x 482.6mm x 31.3mm), 1 RU Angled: 1.72"H x 19.0"W x 4.64"D (43.7mm x 482.6mm x 117.7mm), 1 RU
Weight:	Flat: 0.84 lbs. (0.38 kg) Angled: 1.15 lbs. (0.522 kg)
Mounting:	Mounts to standard EIA 19" or 23" racks (use extender brackets for 23" racks)
Packaging:	Includes mounting/grounding screws, installation instructions, and Ultimate ID® Label Covers

key features and benefits

Modular design	Accommodates intelligence modules that utilize no additional rack space (zero RU) for scalability and growth of network management in a low risk and cost-effective manner
Modular connectivity	Accepts all Mini-Com® UTP Modules to reduce risk associated with cable maintenance and expansion, while offering greater choice of options
Simultaneous patching	Uses multi-colored LEDs to guide technicians through moves, adds, and changes, reducing time and improving accuracy of MAC activities
Local addressability	Accepts a multi-function interface unit to enable patch cord tracing and diagnostic navigation from front of panel, offering convenience, improved speed and accuracy of maintenance, and troubleshooting

applications

Panduit's PViQ™ System Hardware, which includes intelligent patch panels, modules, and cabling, seamlessly feeds information directly into the Physical Infrastructure Manager™ (PIM™) Software Platform to provide continuous real-time patch field monitoring and visibility of physical infrastructure connectivity for enhanced system reliability and security and capacity management. Eliminating the need for additional rack space, the PViQ™ Patch Panels allow for direct installation of PViQ™ Intelligence Modules within the same rack unit profile. This approach gives IT Managers the option to phase installations

(installing passive connectivity now and upgrading to a fully managed system at a later time) and to quickly swap out modules for upgrades or repairs without disrupting cabling or data traffic through the panels. An interface unit at the center of the panel adds further built-in functionality such as patch cord tracing and maintenance operations, without the need for additional control equipment.

PViQ™ Patch Panels are available in flat and angled solutions for UTP and STP copper connectivity, for both interconnect and cross-connect architectures.

www.panduit.com

PanView iQ™ Patch Panels

Flat unshielded:	PVQ-MIQPU24
Angled, unshielded:	PVQ-MIQAPU24
Flat shielded:	PVQ-MIQPS24
Angled, shielded:	PVQ-MIQAPS24

PanView iQ™ Intelligence Modules

Panel manager (PM):	PVQ-PM
Expansion module (EM):	PVQ-EM

NOTE: PM requires PanView iQ™ Power Supply (not included).

PanView iQ™ Hardware Kits

Kit with (4) PanView iQ™ Patch Panels, (1) PanView iQ™ PM, (3) PanView iQ™ EMs, and accessories

Flat unshielded kit:	PVQ-MIQPS96F
Angled unshielded kit:	PVQ-MIQPS96A

NOTE: PM requires PanView iQ™ Power Supply (not included).

PanView iQ™ Patch Panel Accessories

Transitional cover for angled panels (0 RU):	PVQ-MIQAPCVR
---	--------------

PanView iQ™ Patch Cords

Interconnect - Basic	
Category 6 UTP:	PVQ-BIU6C3BU^^
Category 6 UTP:	PVQ-BIU6C1MBU^^^
Category 6 UTP:	PVQ-BIU6L1MBU^^^
Interconnect - Enhanced	
UTP 10Gig™:	PVQ-EU6AC3BU^^
UTP metric:	PVQ-EU6AC1MBU^^^
STP 10Gig™:	PVQ-ES6X3BU^^
STP metric:	PVQ-ES6X1MBU^^^
Cross-Connect	
Category 6 UTP:	PVUTPSPC*BBUY
UTP metric:	PVUTPSPC**MBBUY
STP 10Gig™:	PVSTP6X***MB^
UTP 10Gig™:	PVUTP6X***MB^

PanView iQ™ Power Supply

12 volt power supply	
(North America):	PVQ-PS12VDC-S
(Europe):	PVQ-PS12VDC-E
(UK):	PVQ-PS12VDC-U
(Japan):	PVQ-PS12VDC-J

PIM™ Software Platform and Modules

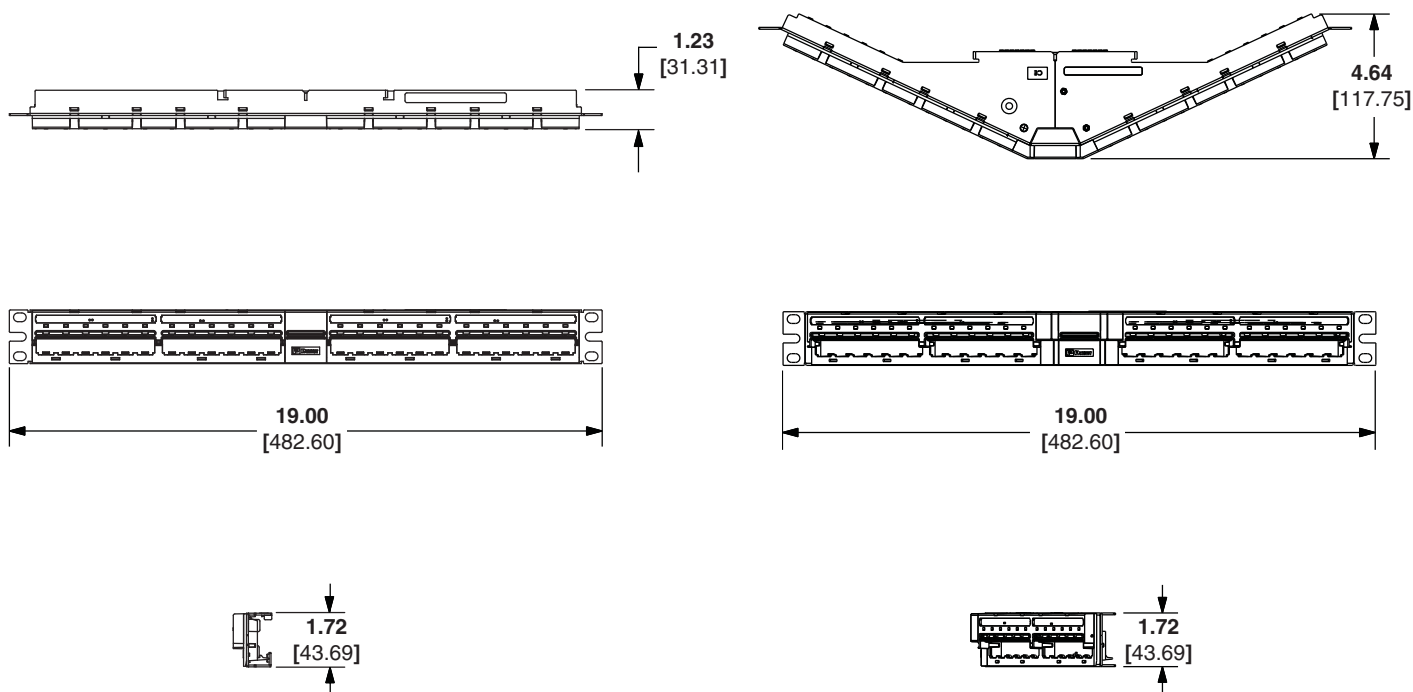
Base functionality module:	PIM-BASE
Connectivity management module:	PIM-CONNECT
Maintenance, support and warranty agreement:	PIM-CAMA
Software and documentation:	PIM-MEDIA

*Available in 3, 5, 7, 9, 14, or 20 feet.
**Available in 1, 2, 3, 5, 7, or 10 meters.
***Available in 1, 2, 3, 5, or 10 meters.
^Available in BU (Blue), GR (Green), RD (Red), YL (Yellow), or BL (Black).
^^Available in 3, 5, 7, 10, 14, or 20 feet.
Available in BU (Blue) or WH (White).
^^^Available in 1, 2, 3, 5, or 10 meters.
Available in BU (Blue) or WH (White).

PanView iQ™ (PViQ™) Patch Panels

PanView iQ™ Test Data

Environmental Testing	
Operating Temperature (ambient)	0°C to 45°C (32°F to 113°F)
Operating Humidity	Up to 90%, non-condensing
Storage Temperature	-40°C to 70°C (-40°F to 158°F)
Storage Humidity	Up to 90%, non-condensing
Operating Altitude	-1000' to 10,000' (-305M to 3,048M)
Regulatory Compliance	
Designed to meet all international requirements	USA, Canada, European Union (CE Mark), Japan, Australia/N.Z.
Electromagnetic Compatibility	
Designed to meet all international requirements	USA, Canada, European Union (CE Mark), Japan, Australia/N.Z. FCC Part 15 Subpart B Class A limit; ICES-003, Issue-003:2004; VCCI Publication 2007; AS/NZS CISPR 22:2004; EN 55022:1998 +A1:2000 +A2:2003 Class A limit; EN 55024:1998 +A1:2001 +A2:2003
Safety Approvals	
Designed to meet all international requirements	USA, Canada, European Union (CE Mark), Japan, Australia/N.Z. IEC 60950-1:2001 CB Certificate, UL 60950-1:2003; CAN/CSA c22.2 No. 60950-1:2003; EN 60950-1/A11:2004



Dimensions are in inches. [Dimensions in brackets are metric].

WORLDWIDE SUBSIDIARIES AND SALES OFFICES

PANDUIT CANADA
Markham, Ontario
cs-cdn@panduit.com
Phone: 800.777.3300

PANDUIT EUROPE LTD.
London, UK
cs-emea@panduit.com
Phone: 44.20.8601.7200

PANDUIT SINGAPORE PTE. LTD.
Republic of Singapore
cs-ap@panduit.com
Phone: 65.6305.7575

PANDUIT JAPAN
Tokyo, Japan
cs-japan@panduit.com
Phone: 81.3.6863.6000

PANDUIT LATIN AMERICA
Guadalajara, Mexico
cs-la@panduit.com
Phone: 52.33.3777.6000

PANDUIT AUSTRALIA PTY. LTD.
Victoria, Australia
cs-aus@panduit.com
Phone: 61.3.9794.9020

For a copy of Panduit product warranties, log on to www.panduit.com/warranty

For more information

Visit us at www.panduit.com

Contact Customer Service by email: cs@panduit.com
or by phone: 800.777.3300 and reference PVSP25

PANDUIT®

©2011 Panduit Corp.
ALL RIGHTS RESERVED.

WW-PVSP25

11/2011