

specifications

Horizontal cable managers shall be capable of managing copper or fiber cables. They shall be molded out of plastic and incorporate bend radius control throughout the fingers, pass through holes, and transitions between horizontal and vertical pathways. Front hinged cover shall open 180° in up or down position. They shall mount to any standard EIA 19" rack.



technical information

Dimensions:	NCMH2: 3.47"H x 19.0"W x 9.75"D (88.1 x 482.6 x 247.7mm) NCMHF2: 3.47"H x 19.0"W x 3.75"D (88.1 x 482.6 x 95.3mm) NCMHF1: 1.72"H x 19.0"W x 3.75"D (43.7 x 482.6 x 95.3mm)
Mounting option:	Mounts to standard EIA 19" rack or 23" rack with optional extender bracket
Packaging:	Cable management panels include hinged front cover, snap-on rear cover and mounting hardware
Finger spacing:	3/8" spacing between fingers
Bend radius: control	1/2" bend radius for fingers, transitions and pass throughs on front 3/8" bend radius for fingers on rear

key features and benefits

Integral bend radius	Maintains cable bend radii in all cable pathways for high performance copper and fiber applications
Curved fingers	Separates and organizes Category 5e and Category 6 cable for simple moves, adds and changes
Cable pass through holes	Provides ease of installation and cable maintenance
Integral wire retainers	Holds cable in place for easy moves, adds and changes
Lightweight plastic construction	Provides durability and easy installation
Hinged front cover	Opens 180° up or down to allow hands-free access to cable

applications

Designed for Category 5e, Category 6 and fiber cables, the Panduit® NetManager™ Horizontal Cable Managers provide a cost effective solution that organizes, manages, and protects network cabling in telecommunication rooms and data centers. Finger spacing organizes cable as they exit the patch panel and bend radius control helps protect cable from kinks, snags and crushing,

ensuring system performance and reliability. When used with Panduit® Mini-Com® or QuickNet® Patch Panels, Panduit patch cords, vertical managers, and racks, the user receives a complete end-to-end solution that satisfies functional requirements and showcases the network cabling.

2 Rack Space Panel, Front and Rear

3" x 3" front and
2" x 5" rear NCMH2

2 Rack Space Panel, Front Only

3" x 3" front: NCMHF2

1 Rack Space Panel, Front Only

1.5" x 3" front: NCMHF1

Accessories

Extender bracket, 1 RU: PEB1

Extender bracket, 2 RU: PEB2
(for 23" rack mounting)

Standard 2 Post Racks – 7 Foot

3" channel

19" mount: CMR19X84

19" mount: CMR19X84S

19" mount: R2P79

19" mount: R2P^

19" mount: R2P48

6" channel

19" mount: R2P6S

^Add suffix 96 to the end of the part number

for 8 foot versions.

4 Post Racks, 19" Mount – 7 Foot

23" deep: R4P23^A

30" deep: R4P^A

36" deep: R4P36^A

42" deep: R4P42^A

*Add "CN" for Cage Nut Rails

^Add suffix 96 to the end of the part number

for 8 foot versions.

NetRunner™ Vertical Cable Managers

Front and rear

22 RU, 4" x 5": WMPV22E

45 RU, 4" x 5": WMPV45E

45 RU, 6" x 6": WMPVHC45E

Front only

22 RU, 4" x 5": WMPVF22E

45 RU, 4" x 5": WMPVF45E

45 RU, 6" x 6": WMPVHC45E

NetRunner™ High Capacity Vertical Cable Managers

Front and rear

45 RU, 6" x 6": NRV6

45 RU, 10" x 6": NRV10

45 RU, 12" x 6": NRV12

Front only

45 RU, 6" x 6": NRVF6

45 RU, 10" x 6": NRVF10

45 RU, 12" x 6": NRVF12

Doors

6" wide: NRD6

10" wide: NRD10

12" wide: NRD12

PatchRunner™ Vertical Cable Managers

7 Foot^

Front and rear

45 RU 6" wide: PRV6

45 RU 8" wide: PRV8

45 RU 10" wide: PRV10

45 RU 12" wide: PRV12

45 RU 15" wide: PRV15

Front only

45 RU 6" wide: PRVF6

45 RU 8" wide: PRVF8

45 RU 10" wide: PRVF10

45 RU 12" wide: PRVF12

45 RU 15" wide: PRVF15

Dual Hinged Doors 7 Foot^

6" wide: PRD6

8" wide: PRD8

10" wide: PRD10

12" wide: PRD12

15" wide: PRD15

Single Hinged Doors

6" wide: PRSHD6

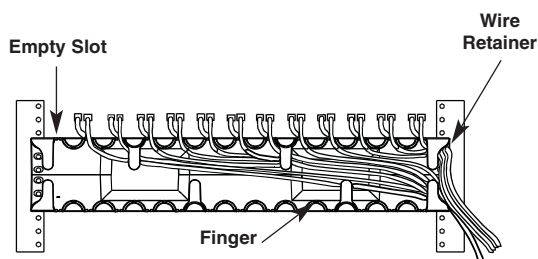
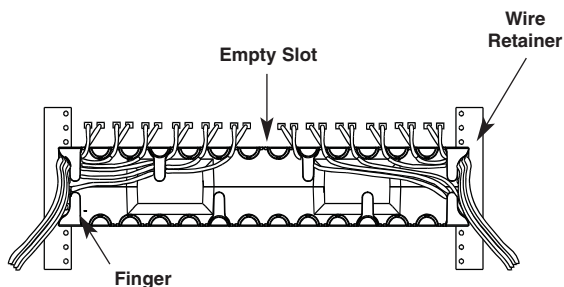
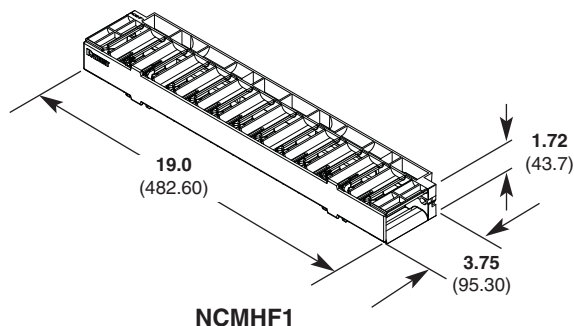
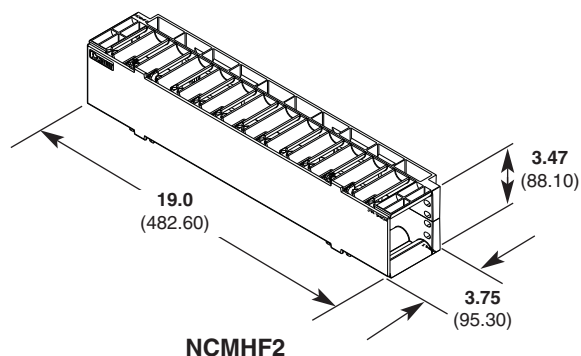
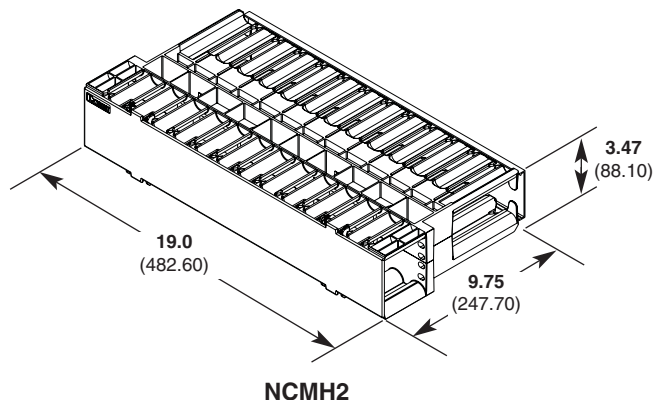
8" wide: PRSHD8

12" wide: PRSHD12

^Add suffix 96 to the end of the part number

for 8 foot versions.

NetManager™ Horizontal Cable Managers



CABLE CAPACITY CHART						
MANAGER	Cat. 6 (.250")		Cat. 5e (.187")		Fiber 3mm	
	Front	Back	Front	Back	Front	Back
NCMH2	48	48	72	72	192	192
NCMHF2	48	—	72	—	192	—
NCMHF1	16	—	24	—	72	—

NOTE: For optimal routing of patch cords to left and right of manager, leave middle slot empty.

Dimensions are in inches. [Dimensions in brackets are metric].

WORLDWIDE SUBSIDIARIES AND SALES OFFICES

PANDUIT CANADA
Markham, Ontario
cs-cdn@panduit.com
Phone: 800.777.3300

PANDUIT EUROPE LTD.
London, UK
cs-emea@panduit.com
Phone: 44.20.8601.7200

PANDUIT SINGAPORE PTE. LTD.
Republic of Singapore
cs-ap@panduit.com
Phone: 65.6305.7575

PANDUIT JAPAN
Tokyo, Japan
cs-japan@panduit.com
Phone: 81.3.6863.6000

PANDUIT LATIN AMERICA
Jalisco, Mexico
cs-la@panduit.com
Phone: 52.33.3777.6000

PANDUIT AUSTRALIA PTY. LTD.
Victoria, Australia
cs-aus@panduit.com
Phone: 61.3.9794.9020

For a copy of Panduit product warranties, log on to www.panduit.com/warranty

For more information

Visit us at www.panduit.com

Contact Customer Service by email: cs@panduit.com
or by phone: 800-777-3300 and reference RKSP03

PANDUIT®

©2010 Panduit Corp.
ALL RIGHTS RESERVED.

WW-RKSP03

7/2010