

specifications

All active equipment in the enclosure shall be bonded to a dedicated grounding bracket. The grounding bracket shall incorporate a space-saving design without stacking lugs, and it shall prevent lugs from twisting loose. An electrostatic discharge (ESD) port shall be mounted directly to the grounding bracket. There shall be a provision to ensure bonding between the grounding bracket and the enclosure. The grounding bracket shall be RoHS Compliant and listed for its purpose with a nationally recognized testing laboratory.



technical information

| | |
|---------------------------|--|
| Performance level: | UL Listed, CSA Certified, and RoHS Compliant Mounts to #12-24 (M6), #10-32 (M5), #10-24 (M4) and smaller stud sizes Works with one-hole, 1/4" (M6) stud size lugs for #10, #8, and #6 AWG (6mm ² , 10mm ² , and 16mm ²) conductors |
| Dimensions: | Length: 4.10" (104.14mm) Width: .56" (14.22mm) Height: .79" (20.07mm) |
| Bracket Material: | High conductivity, electro tin-plated copper |
| Packaging: | One bracket with four #12-24 screws, split washer, one each #10-32 and #10-24 hex nut, grounding washer, and ESD protection sticker. |

key features and benefits

| | |
|------------------------------------|---|
| Anti-rotation design | Prevents one-hole lugs from loosening to ensure reliability and maximize uptime |
| Grounding washer | Provides a high performance electrical bond eliminating the need to manually remove paint, saves labor, and lowers installed cost |
| Built-in ESD port | Features a convenient docking station for ESD wrist strap to help protect network equipment and maximize uptime |
| Compact design | Incorporates all necessary grounding components into one kit to simplify installation and save space |
| UL Listed and CSA Certified | Ensures a high level of safety and reliability |
| RoHS Compliant | Complies with environmental requirements allowing greater design flexibility |










applications

PANDUIT® STRUCTUREDGROUND™ Enclosure Grounding Kit provides equipotential bonding and protection from static electricity for equipment housed in enclosures. Equipment can easily be added or moved without disturbing other grounding connections as STRUCTUREDGROUND™ Enclosure Grounding Kit provides a discrete grounding point for each

piece of equipment within the enclosure. This highly versatile solution easily mounts to a variety of enclosures. STRUCTUREDGROUND™ Enclosure Grounding Kit is also an ideal solution for zone cabling applications that require grounding and bonding of network equipment in telecommunication enclosures.

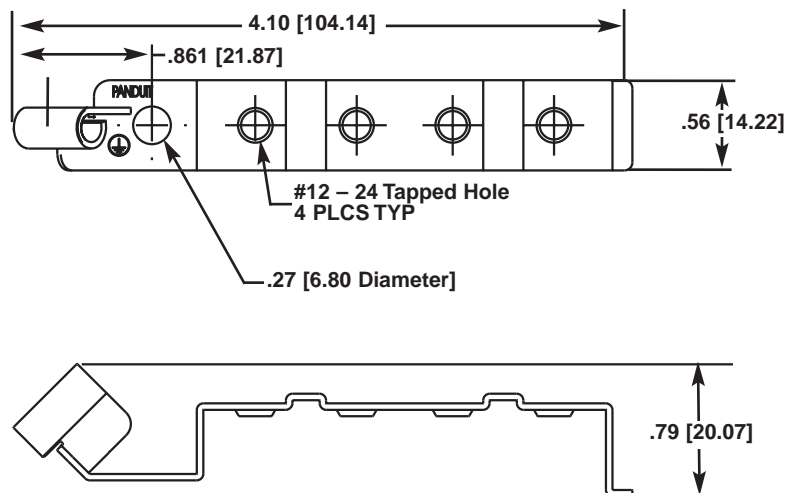
For the complete STRUCTUREDGROUND™ Grounding System offering, refer to www.panduit.com/dcgrounding.

www.panduit.com

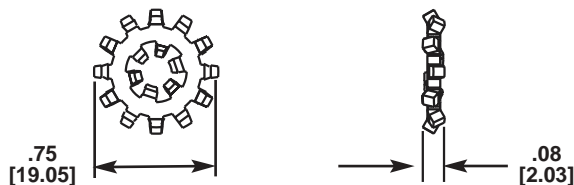
| | |
|---|---|
| Enclosure Grounding Kit |   |
| One bracket, hardware, and sticker: | PZAEGK |
| Related Products | |
| PANZONE® Active Wall Mount Enclosure |   |
| Wall mount enclosure, 3 RUs for both passive and active network equipment: | PZAEWM3 |
| PANZONE® Building Automation Enclosure | |
| BAS enclosure with 3 RUs and perforated panel: | PZBASE3 |
| Code Conductor, One-Hole, Standard Barrel with Window Lug |   |
| #10 AWG (6mm²) lug, 1/4" (M6) stud size: | LCA10-14-L |
| #8 AWG (10mm²) lug, 1/4" (M6) stud size: | LCA8-14-L |
| #6 AWG (16mm²) lug, 1/4" (M6) stud size: | LCA6-14-L |
| Code/Flex Conductor Copper HTAP and Clear Cover |   |
| #2 – #6 AWG (25 – 16mm²) run, #2 – #6 AWG (25 – 16mm²) tap | HTWC2-2-1 |
| 250 kcmil – #2 AWG (120 – 35mm²) run, #2 – #6 AWG (25 – 16mm²) tap | HTWC250-2-1 |
| BICSII/J-STD-607-A Telecommunications Grounding Busbars (1/4" (6.35mm) thickness x 2" (50.80mm) height) |  |
| 10" (254mm) length, mounting positions: four 1/4" (M6) stud hole with 5/8" (16mm) spacing and three 3/8" (M8) stud hole with 1" (25.40) spacing: | GB2B0304TPI-1 |
| 12" (304.80mm) length, mounting positions: six 1/4" (M6) stud hole with 5/8" (16mm) spacing and three 3/8" (M8) stud hole with 1" (25.40) spacing: | GB2B0306TPI-1 |
| 20" (508mm) length, mounting positions: twelve 1/4" (M6) stud hole with 5/8" (16mm) spacing and three 3/8" (M8) stud hole with 1" (25.40) spacing: | GB2B0312TPI-1 |

STRUCTUREDGROUND™ Enclosure Grounding Kit

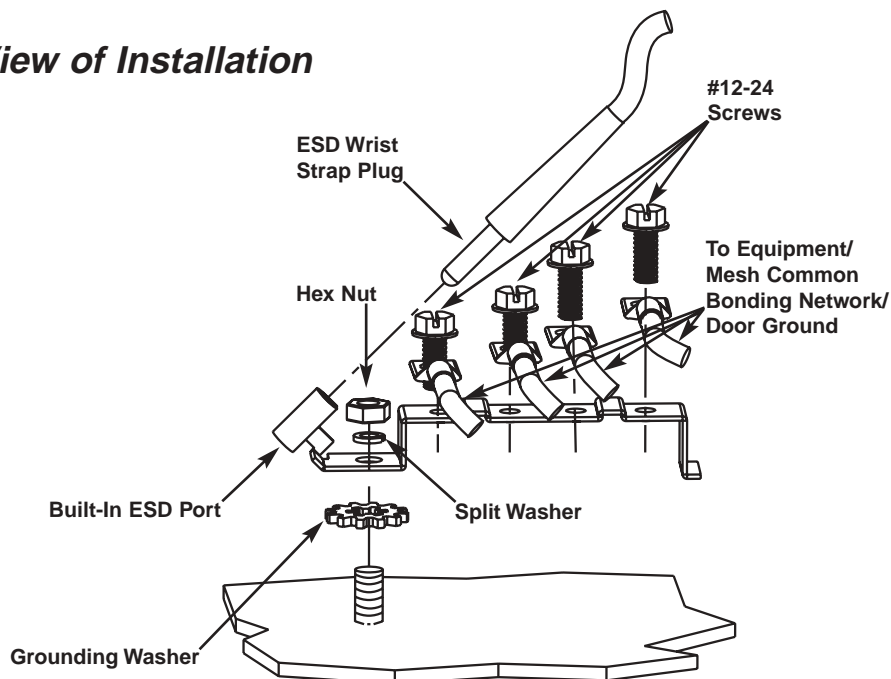
Grounding Bracket



Grounding Washer



Exploded View of Installation



Dimensions are in inches [Dimensions in brackets are in millimeters]

WORLDWIDE SUBSIDIARIES AND SALES OFFICES

PANDUIT CANADA
Markham, Ontario
cs-cdn@panduit.com
Phone: 800.777.3300

PANDUIT EUROPE LTD.
London, UK
cs-emea@panduit.com
Phone: 44.20.8601.7200

PANDUIT SINGAPORE PTE. LTD.
Republic of Singapore
cs-ap@panduit.com
Phone: 65.6379.6700

PANDUIT JAPAN
Tokyo, Japan
cs-japan@panduit.com
Phone: 81.3.3767.7011

PANDUIT LATIN AMERICA
Jalisco, Mexico
cs-la@panduit.com
Phone: 52.333.777.6000

PANDUIT AUSTRALIA PTY. LTD.
Victoria, Australia
cs-aus@panduit.com
Phone: 61.3.9794.9020

For a copy of PANDUIT product warranties, log on to www.panduit.com/warranty



For more information
Visit us at www.panduit.com/pcsp03
Contact Customer Service by email: cs@panduit.com
or by phone: 800-777-3300 and reference PCSP03

©2006 PANDUIT Corp.
ALL RIGHTS RESERVED.
Printed in the U.S.A.
SA-PCSP03
11/2006