

19" PATCH PANELS

Accessories

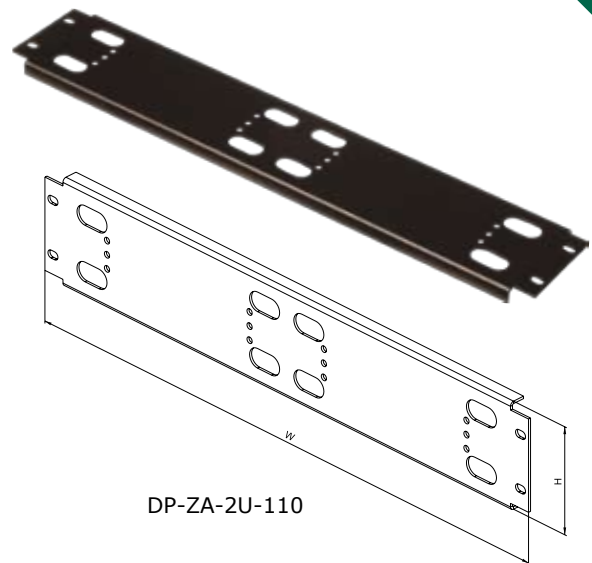
19" PANELS FOR 110 CONNECTING BLOCKS

Used for installing 110 connecting blocks in 19" racks.

Description:

- Produced in sizes 2U and 4U
- Color powder coated RAL (standard RAL 9005)
- Possibility to install up to 100 pairs for height 2U incl. wire management

19" PANELS FOR 110 CONNECTING BLOCKS			
Code	Height	For	
		110 block	cable man. panel
DP-ZA-2U-110	2U	1pc	1pc
DP-ZA-4U-110	4U	2pcs	2pcs



DP-ZA-2U-110

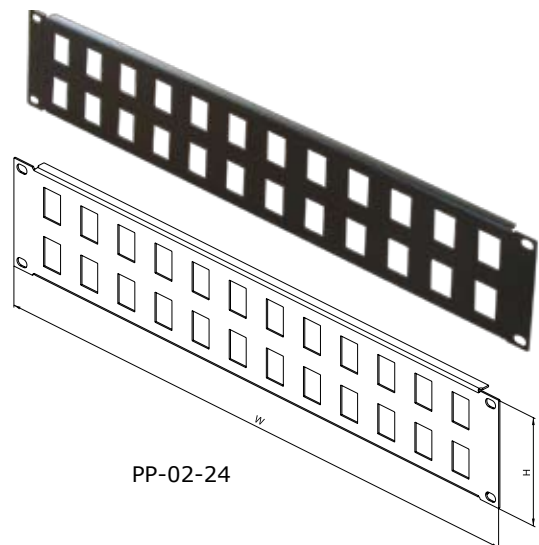
19" PATCH PANELS FOR KEYSTONE MODULES

Used for installing of Keystone type modules in rack.

Description:

- Height 1U, 2U, and 3U
- Possibility to install up to 16 Keystone type modules for height 1U
- Color powder coated RAL (standard RAL 9005)
- For each module adaptor DP-KEY needed

19" PATCH PANELS FOR MODULES KEYSTONE TYPE			
Code	Width	Height	No. of positions
PP-01-16	19"	1U	16
PP-02-24	19"	2U	24
PP-02-32	19"	2U	32
PP-03-48	19"	3U	48



PP-02-24

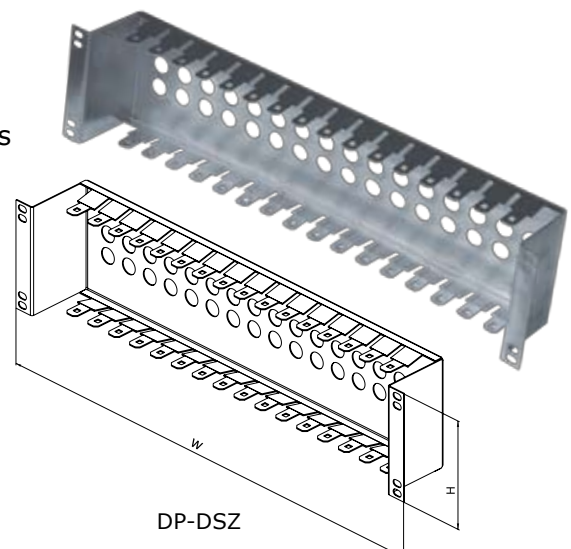
19" PATCH PANELS FOR LSA-PLUS MODULES

Used for installing modules LSA-PLUS (spacing 96mm).

Description:

- 16 positions for installation of 10 pair LSA-PLUS modules
- Finishing: zinc plated

19" PATCH PANELS FOR LSA-PLUS MODULES			
Code	Width	Height	No. of positions
DP-DSZ	19"	2.5U	16



DP-DSZ