

THIS DRAWING IS UNPUBLISHED. RELEASED FOR PUBLICATION
 © COPYRIGHT BY TYCO ELECTRONICS CORPORATION. ALL RIGHTS RESERVED.

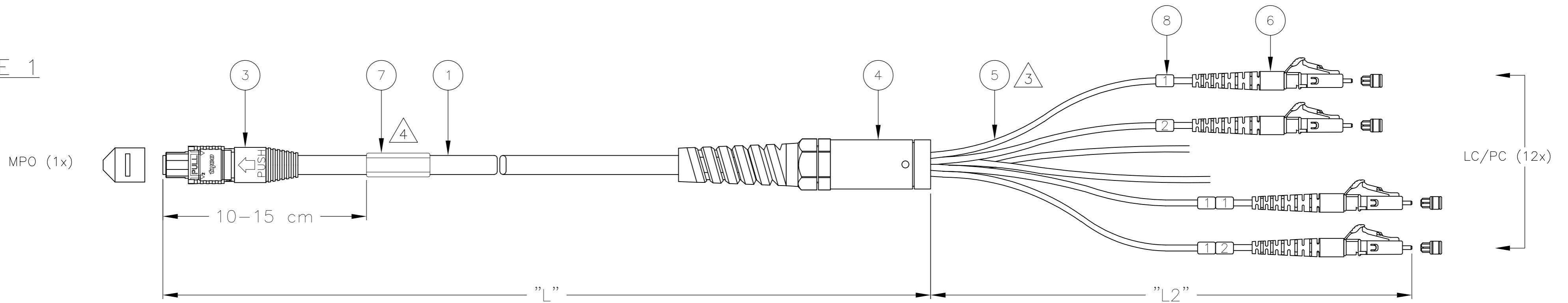
LOC	DIST	REVISIONS			
P	LTR	DESCRIPTION	DATE	DWN	APVD
H	-				
E		ECR-07-016731	19JUL2007	RC	AH

NOTE:

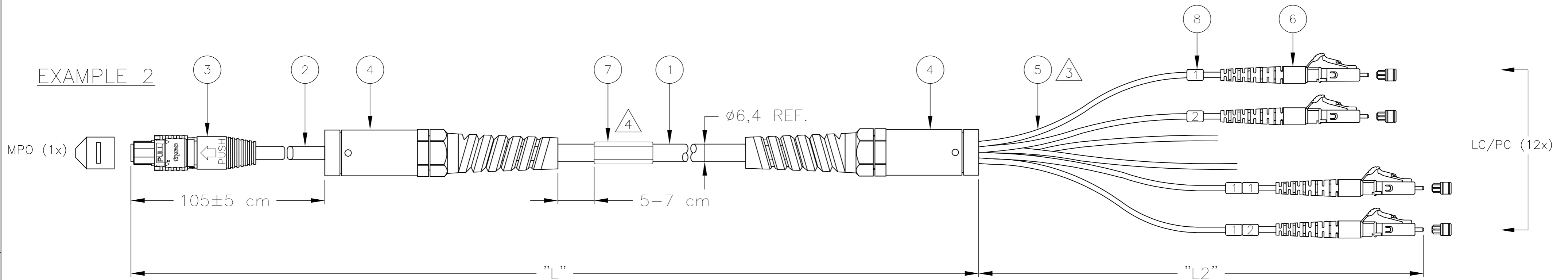
TWO DIFFERENT BREAK OUT ASSEMBLIES:

- EXAMPLE 1: FOR LENGTHS ≤ 10 meter, RIBBON CABLE WITH 1 FAN-OUT
- EXAMPLE 2: FOR LENGTHS > 10 meter, ROUND CABLE WITH 2 FAN-OUTS

EXAMPLE 1



EXAMPLE 2



THIS DRAWING IS A CONTROLLED DOCUMENT.		DWN R. COOLEN 08SEP2006	Tyco Electronics Tyco Electronics Corporation 's-Hertogenbosch, Nederland	
DIMENSIONS: mm		CHK A. HENGELMOLEN 01 MAR 07	NAME FOBRO MM50 OM3 LEAD 12FOLD MPO/FEMALE - 12x LC/PC	
TOLERANCES UNLESS OTHERWISE SPECIFIED: 0 PLC ± - 1 PLC ± - 2 PLC ± - 3 PLC ± - 4 PLC ± - ANGLES ± - FINISH		APVD M. OPPERS 01 MAR 07	SIZE A2	CAGE CODE 00779
MATERIAL		PRODUCT SPEC	DRAWING NO C=6695464	RESTRICTED TO
		APPLICATION SPEC	SCALE NTS	SHEET 1 of 2
		WEIGHT	REV E	
		CUSTOMER DRAWING		

6695464

THIS DRAWING IS UNPUBLISHED. RELEASED FOR PUBLICATION
 © COPYRIGHT BY TYCO ELECTRONICS CORPORATION. ALL RIGHTS RESERVED.

LOC	DIST	REVISIONS			
P	LTR	DESCRIPTION	DATE	DWN	APVD
H	-	SEE SHEET 1	-	-	-

PART NUMBER	LENGTH "L" (m)
6695464-1	1,0 -0/+0,1
6695464-3	3,0 -0/+0,1
6695464-5	5,0 -0/+0,1
6695464-8	8,0 -0/+0,1
1-6695464-0	10,0 -0/+0,1
1-6695464-2	12,0 -0/+0,1
1-6695464-5	15,0 -0/+0,2
2-6695464-0	20,0 -0/+0,2
2-6695464-5	25,0 -0/+0,2
3-6695464-0	30,0 -0/+0,2
5-6695464-0	50,0 -0/+0,5

LC/PC CONNECTOR	CABLE MARKER	"L2" (meter)
1	1	0,4 -0/+0,1
2	2	0,4 -0/+0,1
3	3	0,4 -0/+0,1
4	4	0,4 -0/+0,1
5	5	0,5 -0/+0,1
6	6	0,5 -0/+0,1
7	7	0,5 -0/+0,1
8	8	0,5 -0/+0,1
9	9	0,6 -0/+0,1
10	10	0,6 -0/+0,1
11	11	0,6 -0/+0,1
12	12	0,6 -0/+0,1

NOTES:

- 1 MPO CONNECTOR:
 INSERTION LOSS ≤ 0,75dB, RANDOM MATED AT 850nm
 RETURN LOSS > 25dB, RANDOM MATED AT 850nm
- 2 LC/PC CONNECTORS:
 INSERTION LOSS ≤ 0,3dB, MEASURED AGAINST LAUNCH LEAD AT 850nm
 RETURN LOSS > 25dB, MEASURED AGAINST LAUNCH LEAD AT 850nm
- 3 2mm JACKET TUBINGS, FOR LENGTHS SEE TABLE
- 4 INFORMATION ON LABEL:
 - BARCODE
 - PART NUMBER & FACTORY ORDER NUMBER
 - CABLE LENGTH ("L")
 - UNIQUE SERIAL NUMBER
 - CONNECTIVITY: "STRAIGHT"
- 5 TEST RESULT SHEET SUPPLIED WITH EACH INDIVIDUALLY PACKED ASSEMBLY
- 6 PACKAGING:
 - LENGTHS ≤ 10 meter IN A BAG
 - 10 < LENGTHS ≤ 40 meter IN A BOX
 - LENGTHS > 40 meter ON A REEL

LENGTHS > 10meter	LENGTHS ≤ 10meter	Description	Item
15	15	FOAC CABLE MARKER	8
1	1	INFORMATION LABEL	7
12	12	LC/PC CONNECTOR MULTI MODE	6
AR	AR	FOAC JACKET WITH KEVLAR, BLACK	5
2	1	FOAC FAN-OUT KIT	4
1	1	MPO CONNECTOR MULTI MODE FEMALE	3
AR	-	FURCATION TUBE AQUA	2
L	-	FOCAB MM50 OM3 12FOLD AQUA LSZH	1
-	L	FOCAB MM50 OM3 12FOLD RIBBON AQUA LSZH	1

THIS DRAWING IS A CONTROLLED DOCUMENT.		DWN R. COOLEN 08SEP2006	Tyco Electronics Corporation 's-Hertogenbosch, Nederland	
DIMENSIONS: mm		CHK A. HENGELMOLEN 01 MAR 07	NAME FOBRO MM50 OM3 LEAD 12FOLD MPO/FEMALE - 12x LC/PC	
TOLERANCES UNLESS OTHERWISE SPECIFIED: 0 PLC ± - 1 PLC ± - 2 PLC ± - 3 PLC ± - 4 PLC ± - ANGLES ± -		APVD M. OPPERS 01 MAR 07	SIZE A2	CAGE CODE 00779
MATERIAL -		FINISH -	DRAWING NO C=6695464	RESTRICTED TO -
CUSTOMER DRAWING			SCALE NTS	SHEET 2 of 2