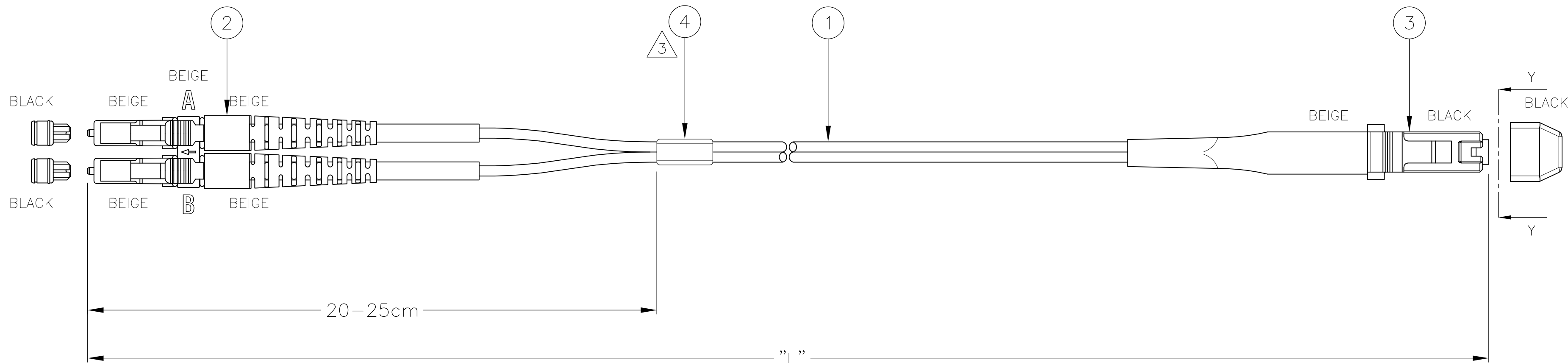
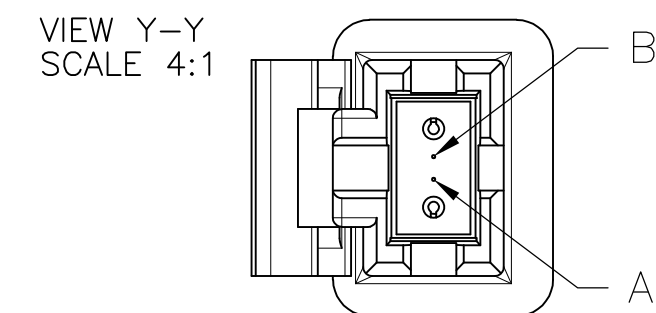


THIS DRAWING IS UNPUBLISHED. RELEASED FOR PUBLICATION  
 © COPYRIGHT BY TYCO ELECTRONICS CORPORATION. ALL RIGHTS RESERVED.

LOC	DIST	REVISIONS					
H	-	P	LTR	DESCRIPTION	DATE	DWN	APVD
		B1		ECR-07-026279	08NOV2007	RC	AH



LC CONN. SIDE MARK	MTRJ CONNECTOR
A	B
B	A



NOTES:

- 1 LC DUPLEX CONNECTOR:
  - ATTENUATION ≤ 0,3dB, MEASURED AT 1300nm
  - ACC. TO I.E.C. 61300-3-4 METHOD B
- 2 MTRJ CONNECTOR:
  - ATTENUATION ≤ 0,5dB, MEASURED AT 1300nm
  - ACC. TO I.E.C. 61300-3-4 EQUILIBRIUM MODE CONDITION
- 3 BLANK LABEL
- 4 FILLED OUT TEST RESULT SHEET SUPPLIED WITH EACH INDIVIDUALLY PACKED ASSEMBLY
- 5 CABLE INFORMATION:
  - CORE DIAMETER: 50/125µm
  - OUTER JACKET DIAMETER: 1,8x3,6mm
  - OUTER JACKET COLOUR: ORANGE
  - OUTER JACKET MATERIAL: LSZH

STANDARD LENGTHS ACCORDING TO CUSTOMER DRAWING 1206850	
PART NUMBER	"L" (meter)
X-6536512-Y	XY,0

1	BLANK LABEL	4
1	MTRJ CONNECTOR, MULTI MODE	3
1	LC DUPLEX CONNECTOR, MULTI MODE, BEIGE	2
L	FOCAB 1,8MZ 50/125, ORANGE LSZH	1
Qty	Description	Item

THIS DRAWING IS A CONTROLLED DOCUMENT.		DWN R. COOLEN 01AUG2007	Tyco Electronics Corporation 's-Hertogenbosch, Netherlands	
DIMENSIONS: mm		CHK A. HENGELMOLEN 10AUG2007	NAME FOMM50 LEAD 1,8MZ LC/PC DUPLEX - MTRJ/FEMALE	
TOLERANCES UNLESS OTHERWISE SPECIFIED:		APVD A. HENGELMOLEN 10AUG2007	SIZE A2	
0 PLC ± -		PRODUCT SPEC	CAGE CODE 00779	
1 PLC ± -		APPLICATION SPEC	DRAWING NO C=6536512	
2 PLC ± -		WEIGHT	RESTRICTED TO	
3 PLC ± -		FINISH	SCALE NTS	
4 PLC ± -		MATERIAL	SHEET 1 of 1	
ANGLES ± -		CUSTOMER DRAWING	REV B1	

6536512