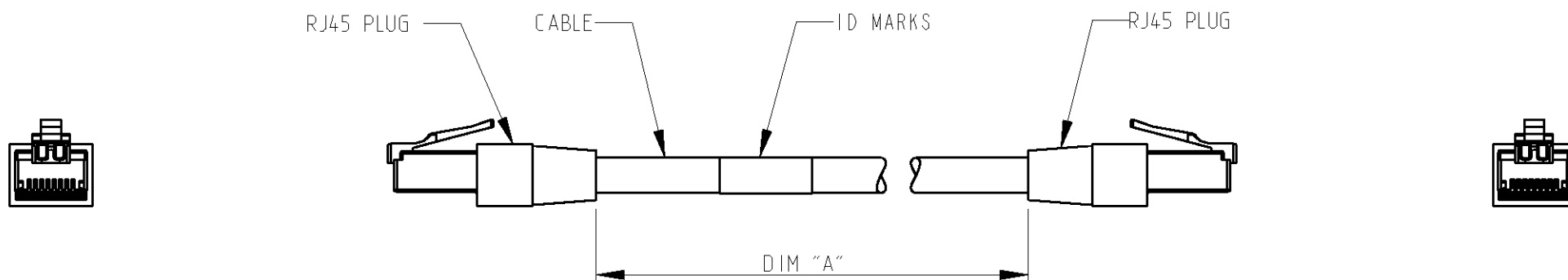


THIS DRAWING IS UNPUBLISHED. RELEASED FOR PUBLICATION 2009
 © COPYRIGHT 2005 BY TYCO ELECTRONICS CORPORATION. ALL RIGHTS RESERVED.

LOC	DIST	REVISIONS					
		P	LTR	DESCRIPTION	DATE	DWN	APVD
1K	2		J2	ECR-05-005358	20JUN2005	LD	JS
			J3	DWG HAS BEEN UPDATED	03-Aug-09	JG	JS



DRAWING SCHEMATIC

1. RJ45 Cat.5 PATCH CABLE ASSEMBLIES ARE USED AS PATCH LEADS IN GENERIC CUSTOMER PREMISES CABLING ACCORDING TO ISO/IEC 11801. THEY CAN ALSO BE USED AS WORKSTATION/EQUIPMENT LEADS TO MAINTAIN CHANNEL PERFORMANCE.
2. FOR AVAILABLE DASH LENGTHS, DIM A, SEE THE TYCO ELECTRONICS CATALOGUE OR CONTACT YOUR SALES REPRESENTATIVE.

<small>THIS DRAWING IS A CONTROLLED DOCUMENT FOR TYCO ELECTRONICS CORPORATION IT IS SUBJECT TO CHANGE AND THE CONTROLLING ENGINEERING ORGANIZATION SHOULD BE CONTACTED FOR THE LATEST REVISION.</small>		DWN J.GATNAU 03-Aug-09 CHK M.MAQUEDA 03-Aug-09 APVD J.SANABRA 03-Aug-09	Tyco Electronics AMP España S.A. Barcelona. Spain.
DIMENSIONS: mm 	TOLERANCES UNLESS OTHERWISE SPECIFIED: 0 PLC ± 1 PLC ± 2 PLC ± 3 PLC ± 4 PLC ± ANGLES ±	PRODUCT SPEC 108-93009 APPLICATION SPEC -	NAME PATCH CORD RJ45 COMPACT BOOT CAT5 UTP PVC STRANDED WHITE
MATERIAL -	FINISH -	WEIGHT -	SIZE A3 CAGE CODE - DRAWING NO C-346750 RESTRICTED TO -
CUSTOMER DRAWING		SCALE 1:1	SHEET 1 OF 1 REV J3