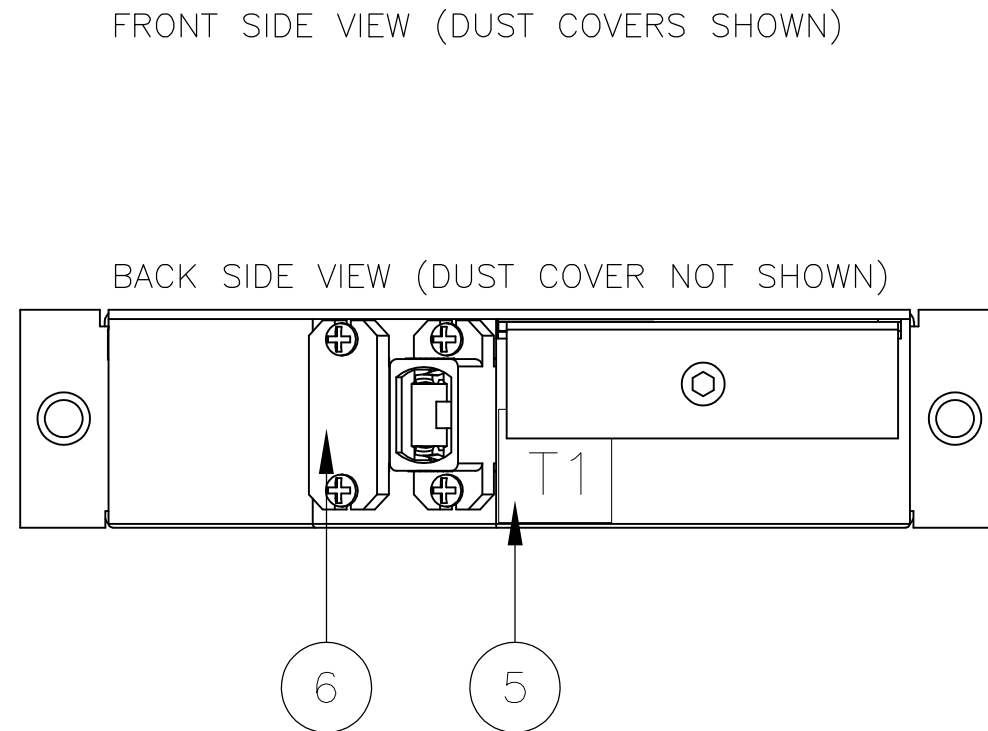
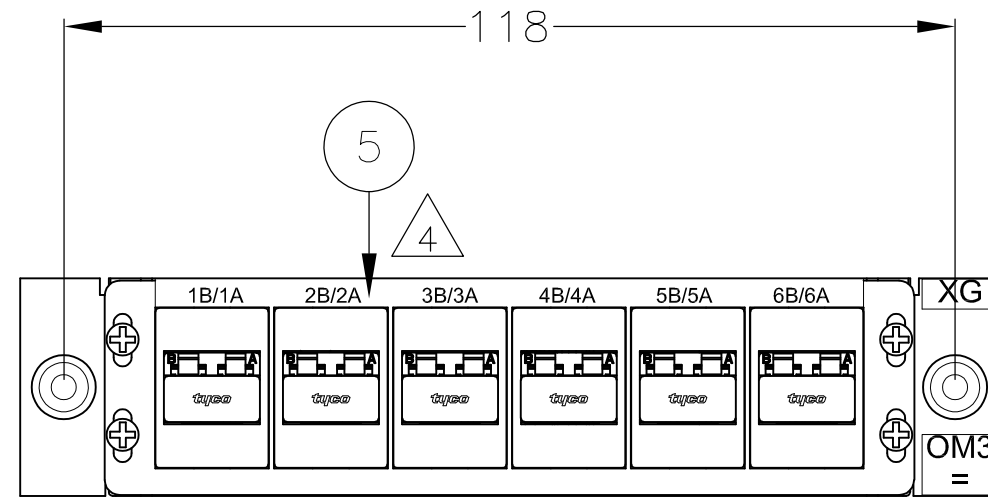
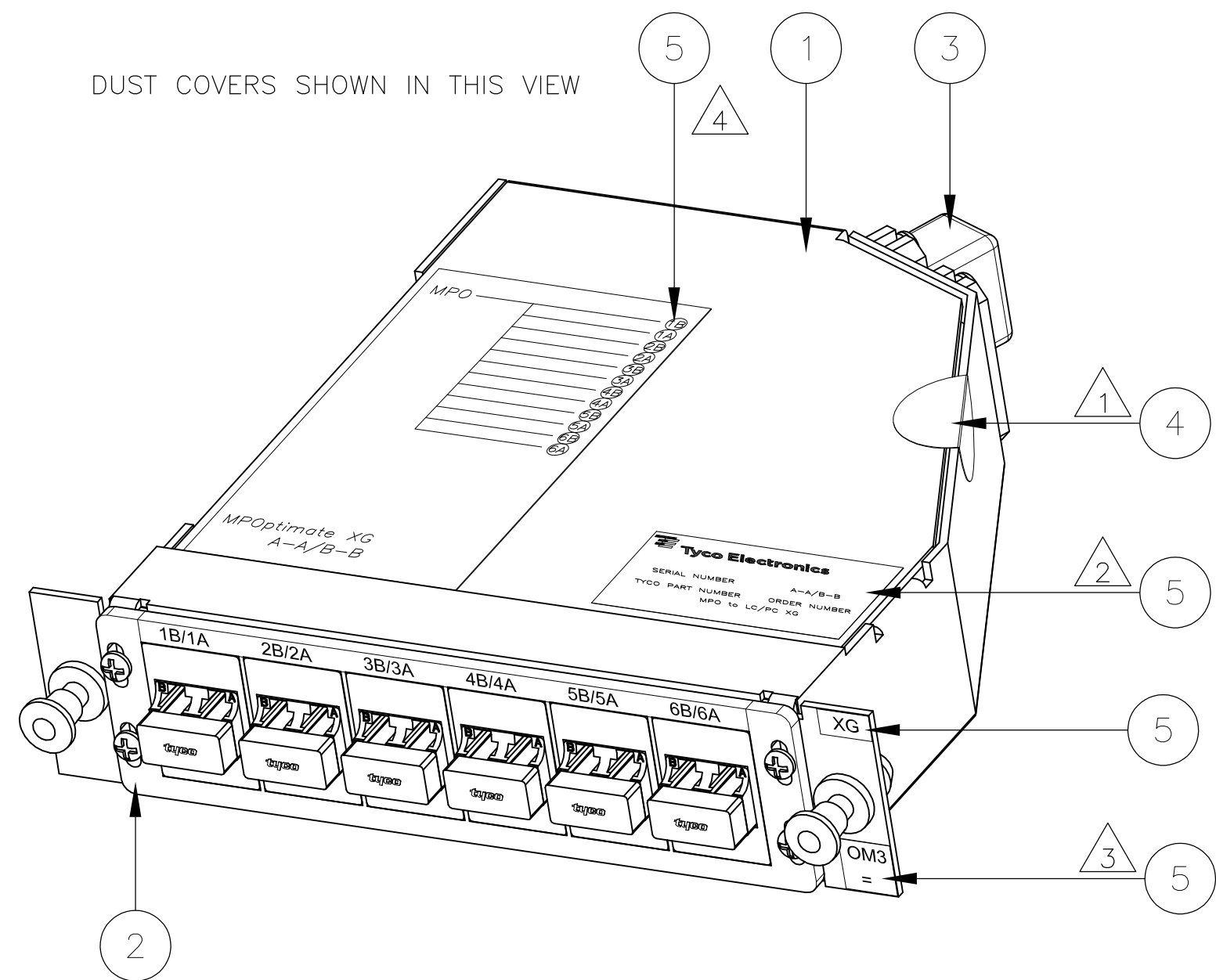


THIS DRAWING IS UNPUBLISHED. RELEASED FOR PUBLICATION  
 © COPYRIGHT BY TYCO ELECTRONICS CORPORATION. ALL RIGHTS RESERVED.

| LOC | DIST | REVISIONS   |               |          |       |
|-----|------|-------------|---------------|----------|-------|
| P   | LTR  | DESCRIPTION | DATE          | DWN      | APVD  |
| H   | -    | B           | ECR 09-004039 | 20022009 | MO MO |



| FIBER PATH A-A / B-B |     |
|----------------------|-----|
| LC/PC                | MPO |
| 1B                   | 1   |
| 1A                   | 2   |
| 2B                   | 3   |
| 2A                   | 4   |
| 3B                   | 5   |
| 3A                   | 6   |
| 4B                   | 7   |
| 4A                   | 8   |
| 5B                   | 9   |
| 5A                   | 10  |
| 6B                   | 11  |
| 6A                   | 12  |

| FIBER PATH A-B / B-A |     |
|----------------------|-----|
| LC/PC                | MPO |
| 1B                   | 1   |
| 1A                   | 2   |
| 2B                   | 3   |
| 2A                   | 4   |
| 3B                   | 5   |
| 3A                   | 6   |
| 4B                   | 7   |
| 4A                   | 8   |
| 5B                   | 9   |
| 5A                   | 10  |
| 6B                   | 11  |
| 6A                   | 12  |

| A-A / B-B VERSION | FIBER <sup>△3</sup> |                |
|-------------------|---------------------|----------------|
| PART NUMBER       | TYPE                | ON LABEL       |
| 1920753-1         | MM50XG              | "OM3"<br>" = " |

| A-B / B-A VERSION | FIBER <sup>△3</sup> |                |
|-------------------|---------------------|----------------|
| PART NUMBER       | TYPE                | ON LABEL       |
| 1-1920753-1       | MM50XG              | "OM3"<br>" X " |

OPTICAL PERFORMANCE FOR CASSETTES

- PERFORMANCE EXCEEDS REQUIREMENTS I.S. 11801, TIA/SIA 568.B3
- XG VARIANT RECOMMENDED FOR HIGH CONNECTIVITY APPLICATIONS

FOR OM3 XG: ATTENUATION ≤ 0,35dB\*, MEASURED BETWEEN REFERENCE CONNECTORS AT 850nm ACCORDING I.E.C. 61300-3-4 (MM50)

RETURN LOSS > 27dB, MEASURED BETWEEN REFERENCE CONNECTORS AT 850nm ACCORDING I.E.C. 61300-3-6

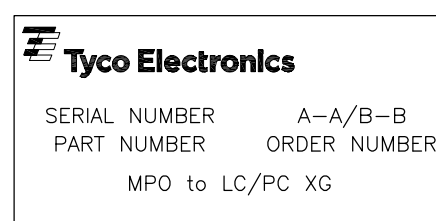
NOTES:

\* EACH CASSETTE CONTAINS 2 CONNECTIONS PER FIBER CHANNEL

<sup>△1</sup> WARRANTY VOID IF SEAL IS BROKEN

<sup>△2</sup> LABEL INFORMATION: EXAMPLE:

- TYCO ELECTRONICS LOGO
- SERIAL NUMBER
- TYCO ELECTRONICS PART NUMBER
- "A-A/B-B" OR "A-B/B-A"
- ORDER NUMBER
- CONNECTOR TYPE



<sup>△3</sup> INFORMATION LABEL FOR FIBER TYPE (SEE TABLE)

<sup>△4</sup> INFORMATION LABEL FOR FIBER PATH

5 TEST RESULT SHEET SUPPLIED WITH EACH INDIVIDUALLY PACKED ASSEMBLY

| 1   | BLANK COVER                             | 6    |
|-----|---|------|
| 6   | INFORMATION LABEL                       | 5    |
| 1   | FOAC WARRANTY LABEL                     | 4    |
| 1   | MPO ADAPTER WITH DUST CAP               | 3    |
| 1   | ADAPTER PLATE WITH 6 LC DUPLEX ADAPTERS | 2    |
| 1   | FOAC CONNECTOR MODULE WITH COVER, BLACK | 1    |
| Qty | Description                             | Item |

|  |  |                              |   |  |
|--|--|------------------------------|---|--|
| THIS DRAWING IS A CONTROLLED DOCUMENT. |  | DWN R. COOLEN APRIL2008      | Tyco Electronics Corporation<br>'s-Hertogenbosch, Nederland |  |
| DIMENSIONS: mm                         |  | CHK A. HENGELMOLEN APRIL2008 | NAME MPOOptimate<br>FOCASS OM3 MPO - 12xLC/PC XG            |  |
| TOLERANCES UNLESS OTHERWISE SPECIFIED: |  | APVD M. OPPERS 14-05-2008    | SIZE A2 CAGE CODE 00779 DRAWING NO C=1920753                |  |
| MATERIAL                               |  | PRODUCT SPEC                 | RESTRICTED TO   |  |
| FINISH                                 |  | APPLICATION SPEC             | SCALE NTS SHEET 1 of 1 REV B                                |  |
| WEIGHT                                 |  | CUSTOMER DRAWING             |   |  |