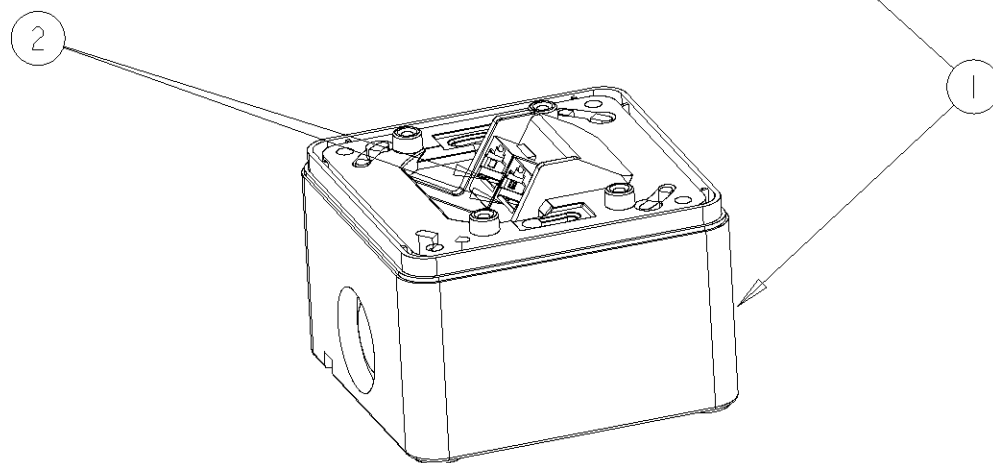
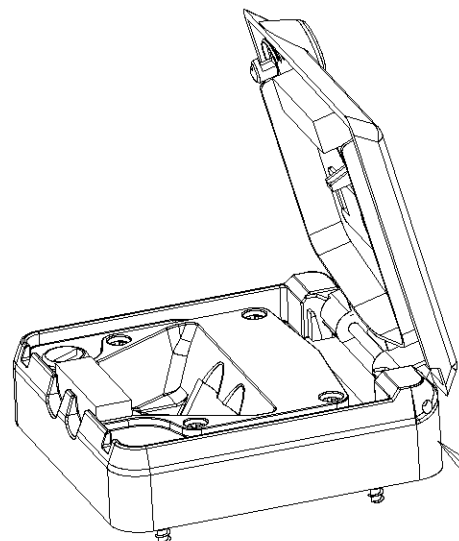


LOC	DIST	REVISIONS				
P	LTR	DESCRIPTION	DATE	DWN	APVD	
1K	2	A	FIRST ISSUE	09MAR2006	ACG	ACG

1711474-1 AS SHOWN



DETAIL VIEW: JACKS ALREADY ASSEMBLED.



PACKAGING:  
 6 UNITS PER BOX.  
 ACCORDING TO TYCO ELECTRONICS PACKAGING SPEC.  
 SL JACKS (item 2) SHIPPED NOT ASSEMBLED

2. INSTRUCTION SHEETS:
- 411-93007: INSTAL. INSTRUC. FOR AMP-TWIST-6S SL JACK.
  - 411-93009: INSTAL. INSTRUC. OF JACK IN IP 44 OUTLET.



--	1	INSTRUCTION SHEET: 411-93009	3
--	2	AMP-TWIST-6S SL JACK W/O DUST COVER	2
RAL 7035	1	IP 44 OUTLET, SL SERIES JACK, W/O CONNECTOR	1
COLOUR	QTY. REQD.	DESCRIPTION	ITEM

<small>THIS DRAWING IS A CONTROLLED DOCUMENT FOR TYCO ELECTRONICS CORPORATION          IT IS SUBJECT TO CHANGE AND THE CONTROLLING ENGINEERING ORGANIZATION          SHOULD BE CONTACTED FOR THE LATEST REVISION.</small>		DWN <b>A. CARRERAS</b> 09MAR2006 CHK <b>A. CARRERAS</b> 09MAR2006 APVD <b>J. SANABRA</b> 17MAR2006	Tyco Electronics AMP España, S.A Barcelona, Spain
DIMENSIONS: mm 	TOLERANCES UNLESS OTHERWISE SPECIFIED: 0 PLC ± 1 PLC ± 2 PLC ± 3 PLC ± 4 PLC ± ANGLES ±	PRODUCT SPEC - APPLICATION SPEC NOTE 2 WEIGHT -	NAME IP 44 OUTLET AMP-TWIST-6S SL JACK -
MATERIAL	FINISH	CUSTOMER DRAWING	SIZE A3
			CAGE CODE 00779
			DRAWING NO C-1711474
			RESTRICTED TO -
			SCALE N.A
			SHEET 1 OF 1
			REV A