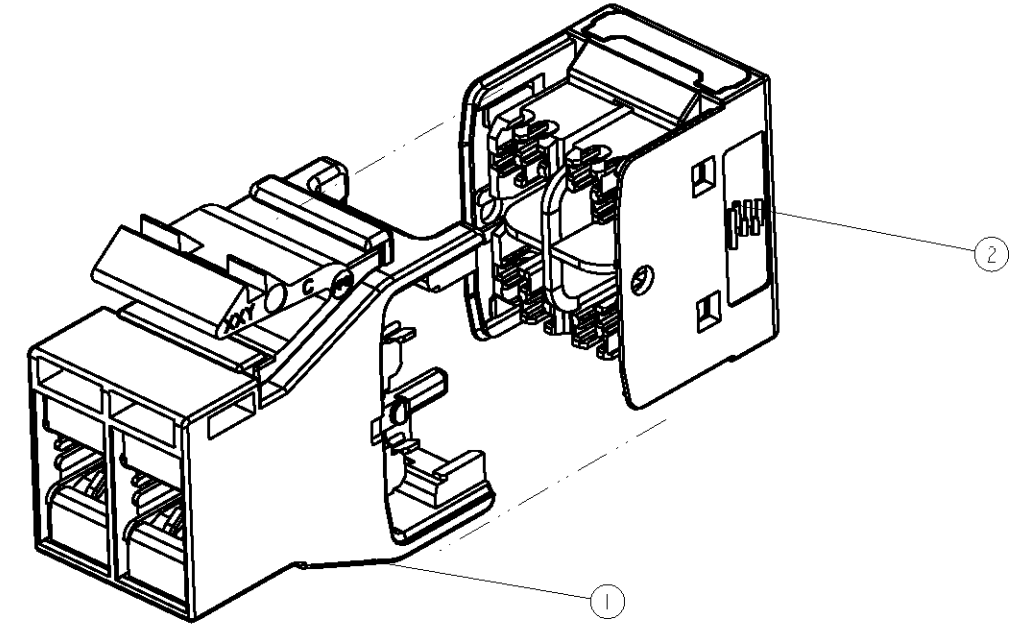


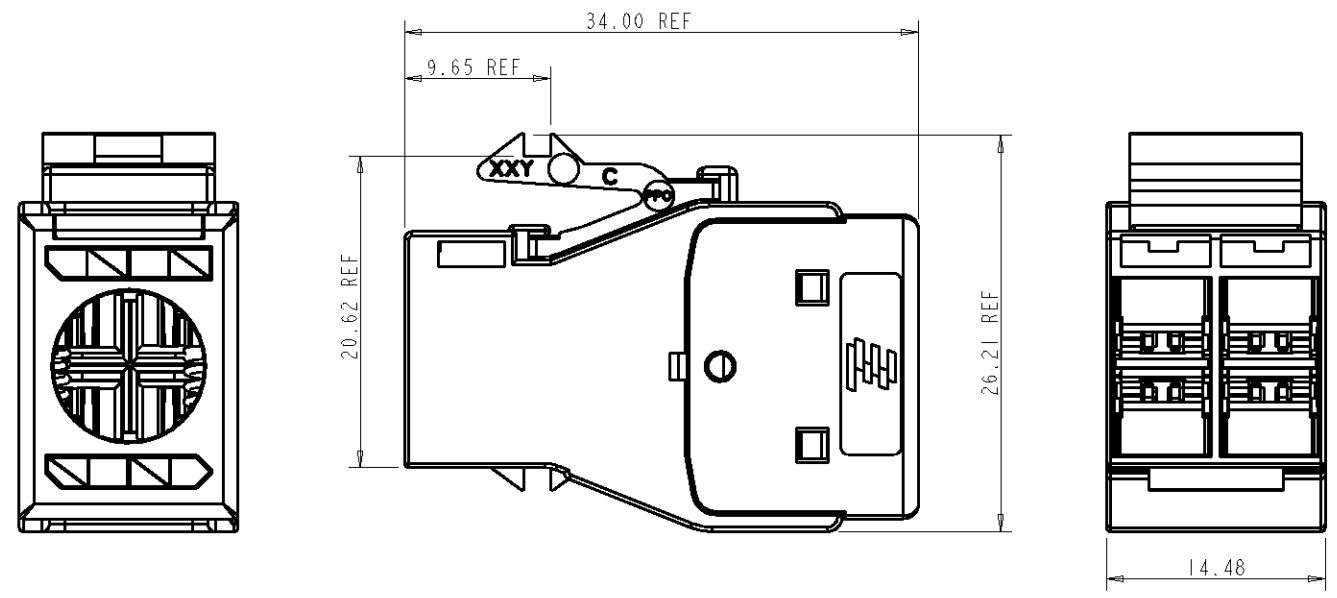
THIS DRAWING IS UNPUBLISHED. RELEASED FOR PUBLICATION 2009
 © COPYRIGHT 2009 BY TYCO ELECTRONICS CORPORATION. ALL RIGHTS RESERVED.

LOC	DIST	REVISIONS					
		P	LTR	DESCRIPTION	DATE	DWN	APVD
1K	2		A	ISSUED	02AUG2007	RM	JS
			A1	REMOVED PRELIMINARY STAMP	06FEB2008	RM	JS
			A2	ADDED CABLE TERMINATION RANGE (NOTE 4)	05MAR2009	RM	JS

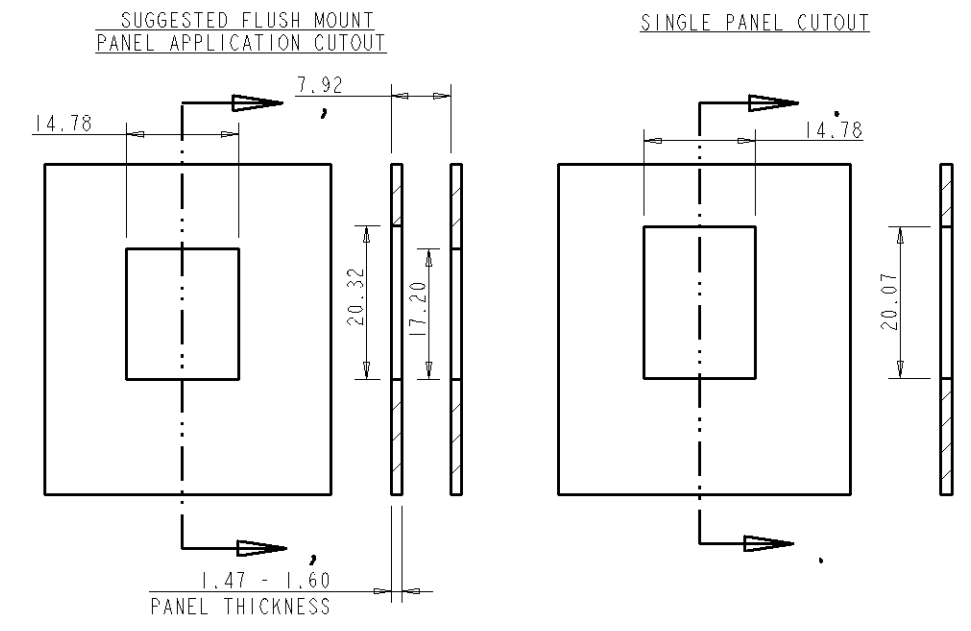


SCALE 2:1

- 1. PACKAGING: ONE JACK IN A BLISTER BOX (INCLUDING INSTRUCTION SHEET 411-93013). TEN BLISTER BOX IN A CARTON BOX (INCLUDING TWO TOOL SUPPLEMENT). 200 JACKS IN A SHIPPING BOX ACCORDING.
- 2. ITEMS SHIPPED NOT ASSEMBLED.
- 3. PACKAGING:
 PRIMARY PACKAGING: PVC TRAY INCLUDING 12 JACKS.
 TWO PVC TRAYS IN A CARTON BOX WITH ONE INSTRUCTION SHEET 411-93013.
 DASH 7--1: 24 JACKS (2 TRAYS + 1 INSTRUCTION SHEET PER BOX) WITH CORRESPONDING LABEL.
 360 JACKS IN A SHIPPING BOX ACCORDING.
- 4. AMP-TWIST 7AS SL JACK WILL TERMINATE:
 - SOLID CONDUCTORS: 22-24 AWG.
 - MAX. INSULATION DIAMETER: \varnothing 1.60 mm
 - MAX. CABLE JACKET DIAMETER: \varnothing 9.00 mm



SCALE 2:1



REV.	DESCRIPTION	ITEM		
7--1	3	1	SUBASSY REAR HOUSING	2
			SUBASSY FRONT HOUSING WITHOUT DUST COVER	1
			DESCRIPTION	ITEM

THIS DRAWING IS A CONTROLLED DOCUMENT FOR TYCO ELECTRONICS CORPORATION IT IS SUBJECT TO CHANGE AND THE CONTROLLING ENGINEERING ORGANIZATION SHOULD BE CONTACTED FOR THE LATEST REVISION.		DWN 02AUG2007 R. MATEO CHK 02AUG2007 A. PUELL APVD 06FEB2008 J. SANABRA		Tyco Electronics Tyco Electronics AMP España S.A. Barcelona, Spain	
DIMENSIONS: mm		TOLERANCES UNLESS OTHERWISE SPECIFIED: 0 PLC ± 1 PLC ± 2 PLC ± 3 PLC ± 4 PLC ± ANGLES ±		PRODUCT SPEC 108-93019 APPLICATION SPEC 411-93013 WEIGHT -	
MATERIAL -		FINISH -		NAME AMP-TWIST 7AS SL JACK WITHOUT DUST COVER	
		CUSTOMER DRAWING		SIZE A3 CAGE CODE - DRAWING NO C-1711437 RESTRICTED TO -	
				SCALE SHEET OF REV A2	