

4

3

2

1

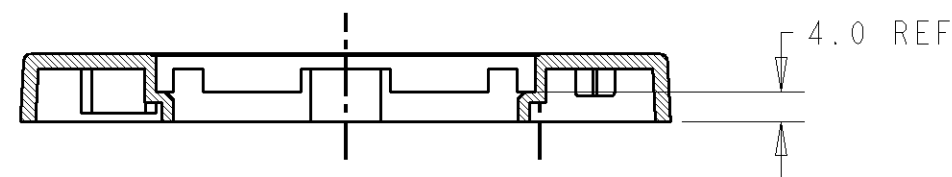
THIS DRAWING IS UNPUBLISHED. RELEASED FOR PUBLICATION 2005

© COPYRIGHT 2005 BY TYCO ELECTRONICS CORPORATION. ALL RIGHTS RESERVED.

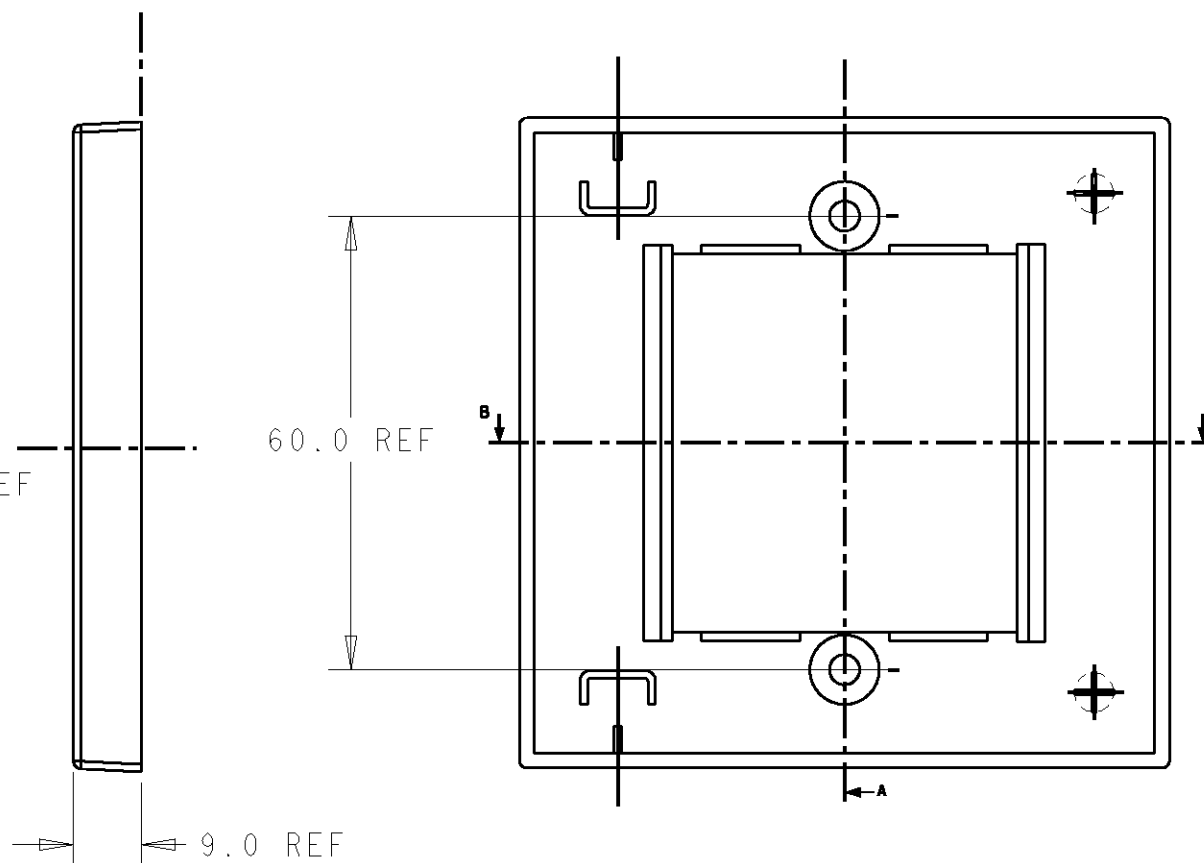
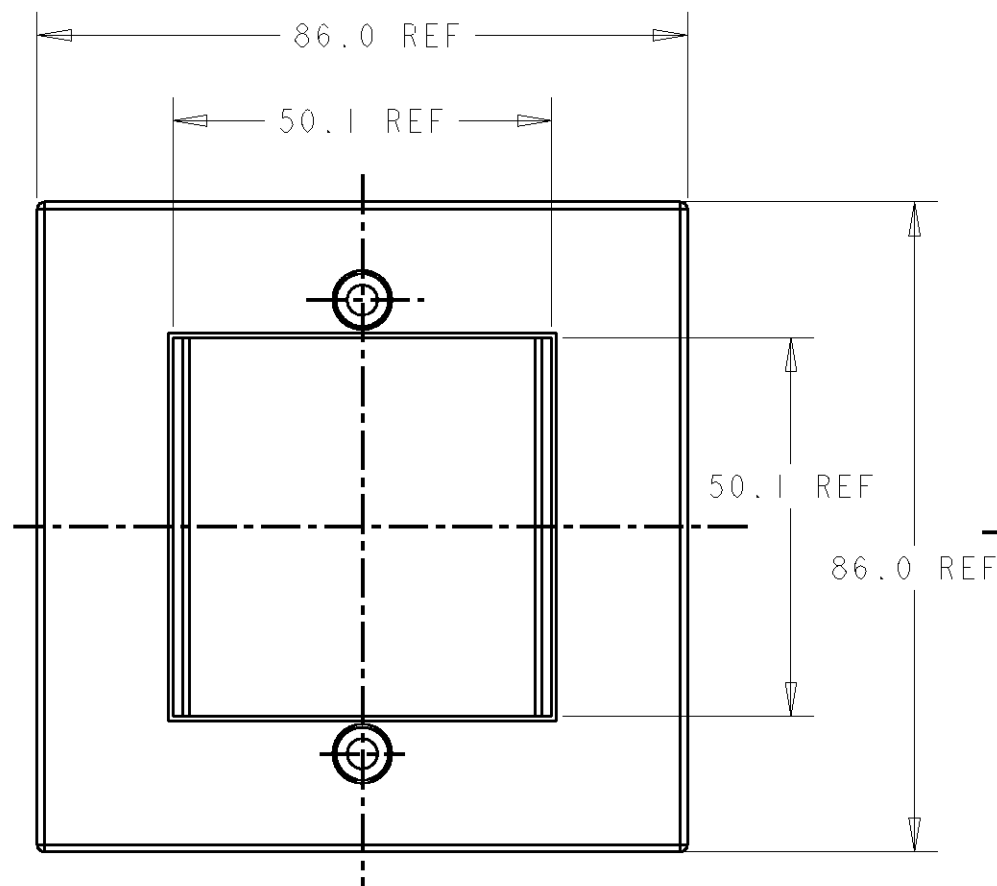
LOC	DIST	REVISIONS			
P	LTR	DESCRIPTION	DATE	DWN	APVD
1K	2	A	FIRST RELEASE	06OCT2005	MP JS
		AI	DATA TABLE REMOVED	25OCT2005	MP JS

1 PRODUCT DESCRIPTION:
SINGLE GANG UNLOADED 50 x 50 BS FACEPLATE

2 SCREWS AND SCREWS PLUG ARE INCLUDED IN THE KIT.



SECTION B-B'



9003	1711399-1
RAL	DASH

<small>THIS DRAWING IS A CONTROLLED DOCUMENT FOR TYCO ELECTRONICS CORPORATION IT IS SUBJECT TO CHANGE AND THE CONTROLLING ENGINEERING ORGANIZATION SHOULD BE CONTACTED FOR THE LATEST REVISION.</small>		DWN M. PANADERO 06OCT2005 CHK A. CARRERAS 06OCT2005 APVD J. SANABRA 06OCT2005		Tyco Electronics, AMP España S.A Barcelona, Spain.	
DIMENSIONS: mm		TOLERANCES UNLESS OTHERWISE SPECIFIED: 0 PLC ±- 1 PLC ±- 2 PLC ±- 3 PLC ±- 4 PLC ±- ANGLES ±-		NAME SINGLE GANG UNLOADED 50 x 50 BS FACEPLATE	
MATERIAL -		FINISH -		SIZE A3 CAGE CODE 00779 DRAWING NO C-1711399 RESTRICTED TO -	
CUSTOMER DRAWING				SCALE SHEET OF REV A1	