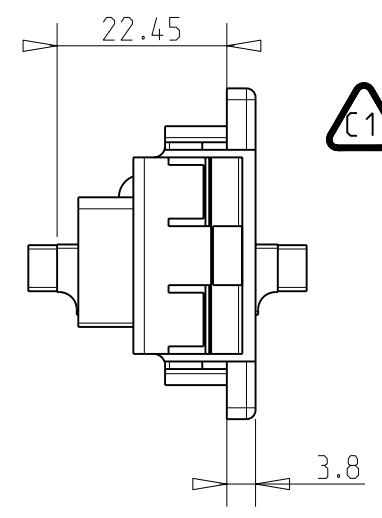
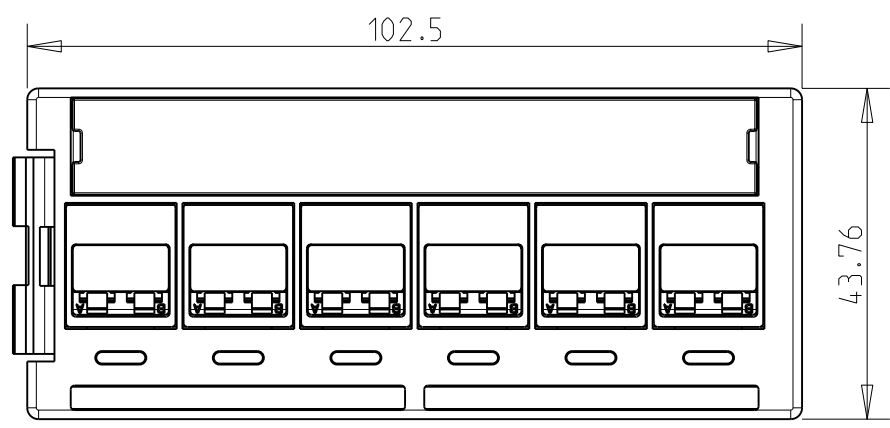
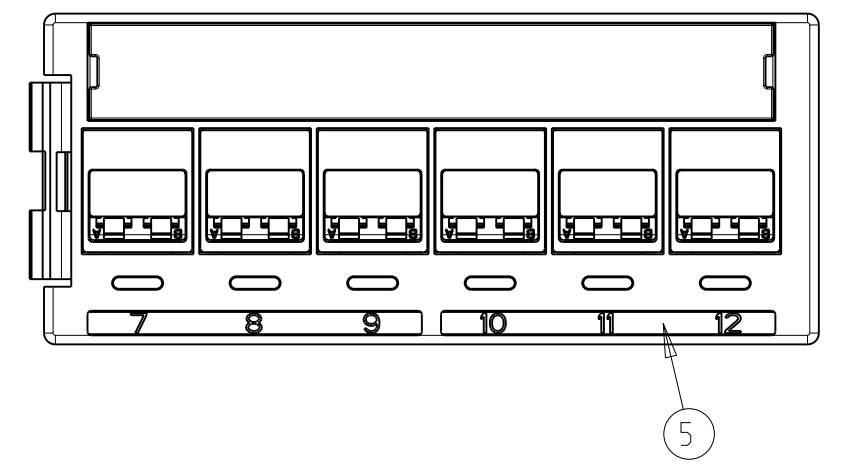
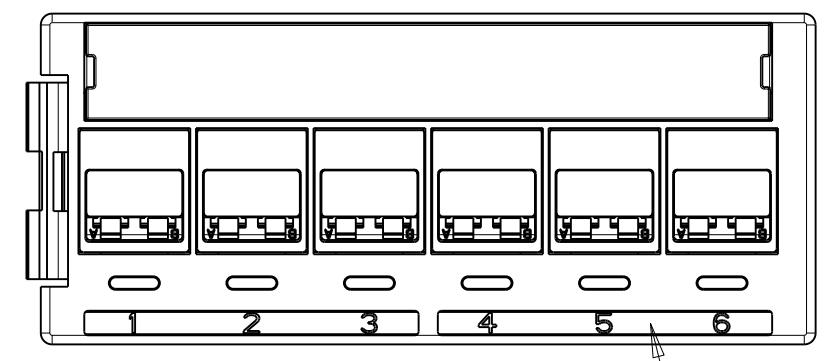
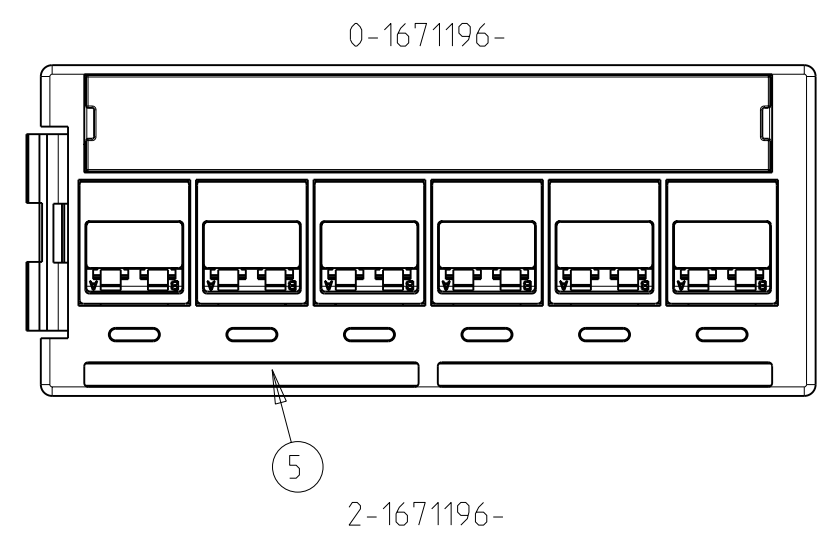
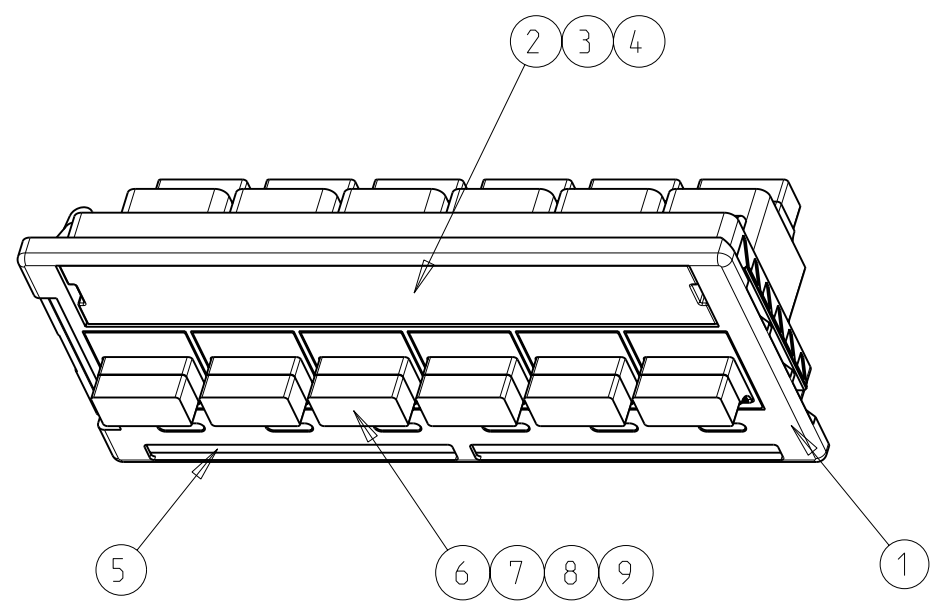


THIS DRAWING IS UNPUBLISHED. RELEASED FOR PUBLICATION 20  
 © COPYRIGHT 20 BY TYCO ELECTRONICS CORPORATION. ALL RIGHTS RESERVED.

LOC IV DIST 00

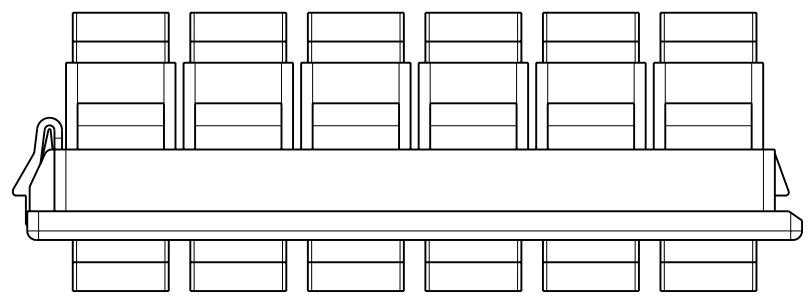
REVISIONS					
P	LTR	DESCRIPTION	DATE	DWN	APVD
B		PART NUMBERS ADDED	24NOV2008	HB	HB
B1		ECR-09-014986 Correct PN REV	02JUL2009	HB	DT
C		ECR-10-006362	30MAR2010	HB	DT
C1		New PN -4 added	26NOV2010	RV	DT

1. LABELS AND LABEL COVERS SHIPPED LOOSE.



⚠ C1

QUANTITY	PART NUMBER	DESCRIPTION	ITEM					
-	-	SL Duplex LC adaptor Housing OS - Green	9					
12	-	SL Duplex LC adaptor Housing OM3	8					
-	12	SL Duplex LC adaptor Housing OM2	7					
-	-	SL Duplex LC adaptor Housing OS1	6					
1	1	Port ID label 7-12	5					
1	1	Port ID label 1-6						
-	-	Port ID label BLANK						
2	2	Black label cover	4					
2	2	Clear label cover	3					
1	1	Interface housing label sheet	2					
2	2	Interface housing UTP	1					
2--3	2--2	2--1	-4	-3	-2	-1		



THIS DRAWING IS A CONTROLLED DOCUMENT FOR TYCO ELECTRONICS CORPORATION IT IS SUBJECT TO CHANGE AND THE CONTROLLING ENGINEERING ORGANIZATION SHOULD BE CONTACTED FOR THE LATEST REVISION.

DIMENSIONS: mm		TOLERANCES UNLESS OTHERWISE SPECIFIED:	
	0 PLC	±	
	1 PLC	±	
	2 PLC	±	
	3 PLC	±	
	4 PLC	±	
	ANGLES	±	
MATERIAL	FINISH		

DWN H.BLEUS 20NOV2008	Tyco Electronics Kessel-Lo, Belgium	NAME	
CHK H.BLEUS 20NOV2008		LC SNAP-IN MODULE	
APVD D.Thijs 20NOV2008		-	
PRODUCT SPEC		-	
APPLICATION SPEC	SIZE	CAGE CODE	DRAWING NO
WEIGHT	A3	00779	C-1671196
CUSTOMER DRAWING		SCALE	SHEET 1 OF 1
		1.000	REV C1