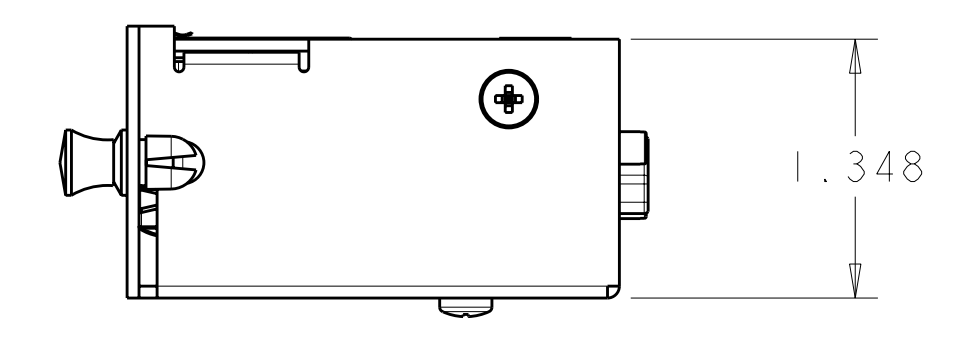
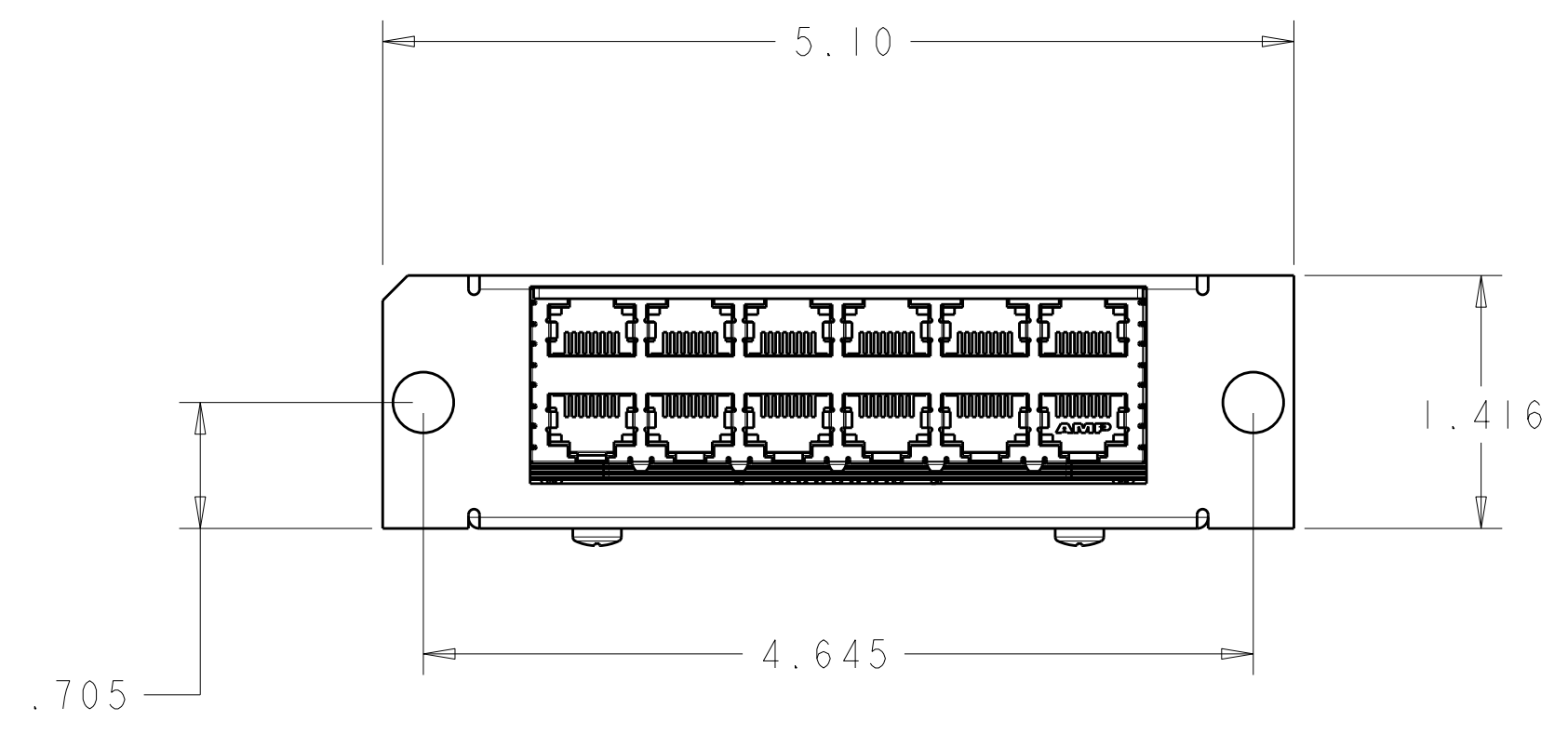
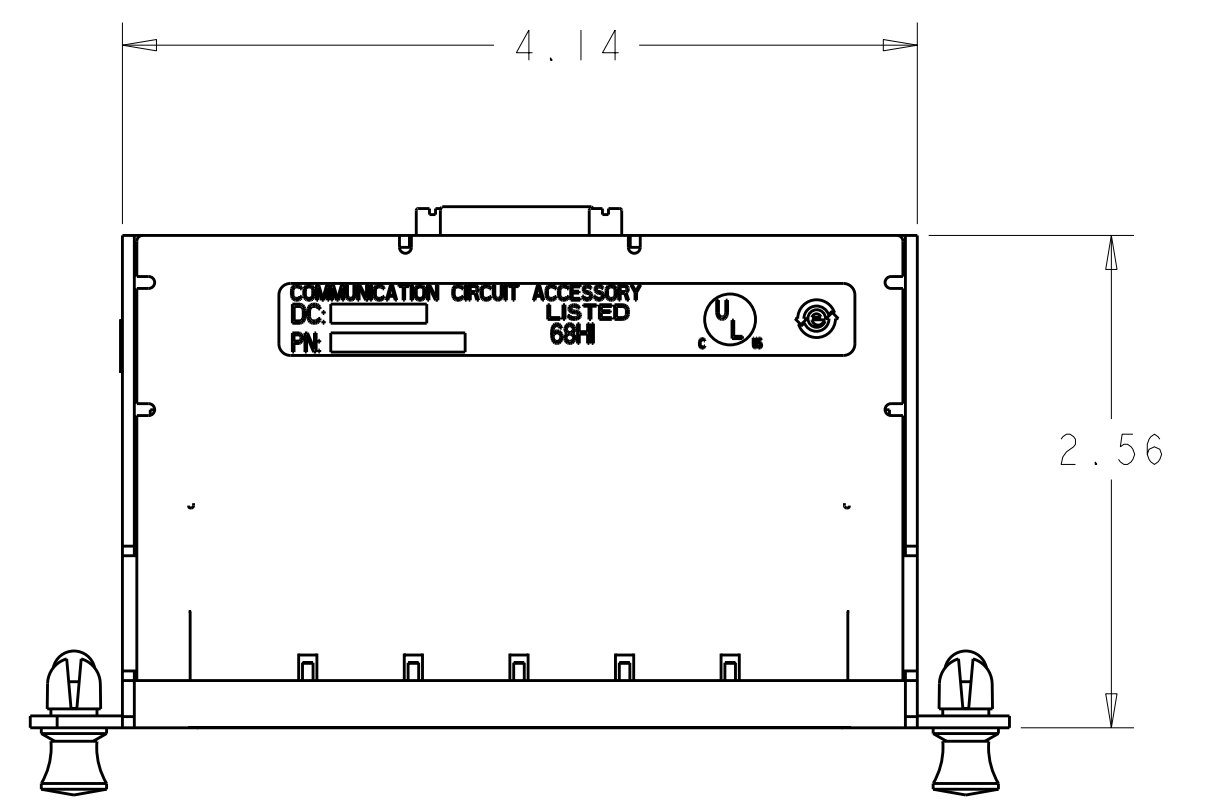
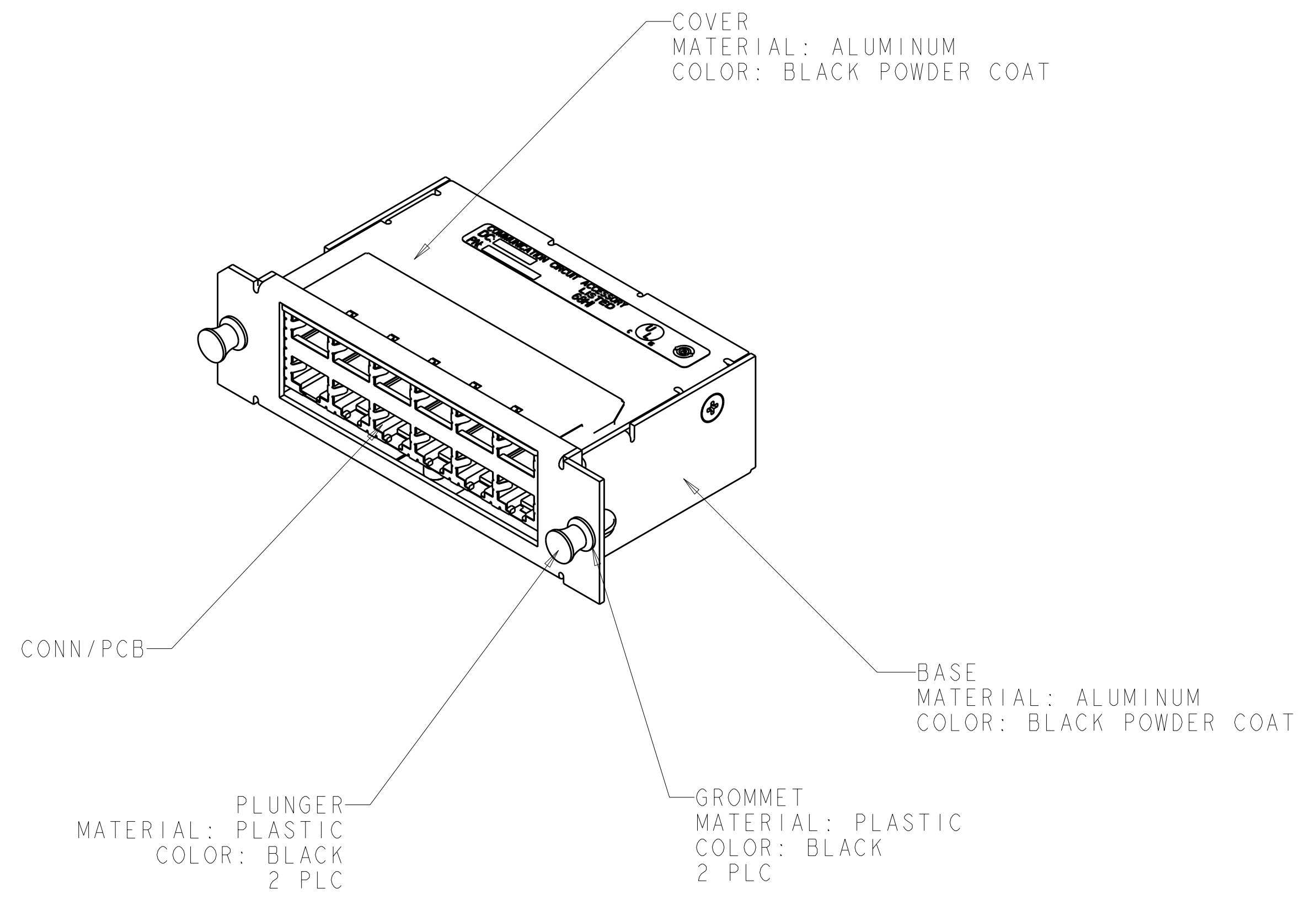
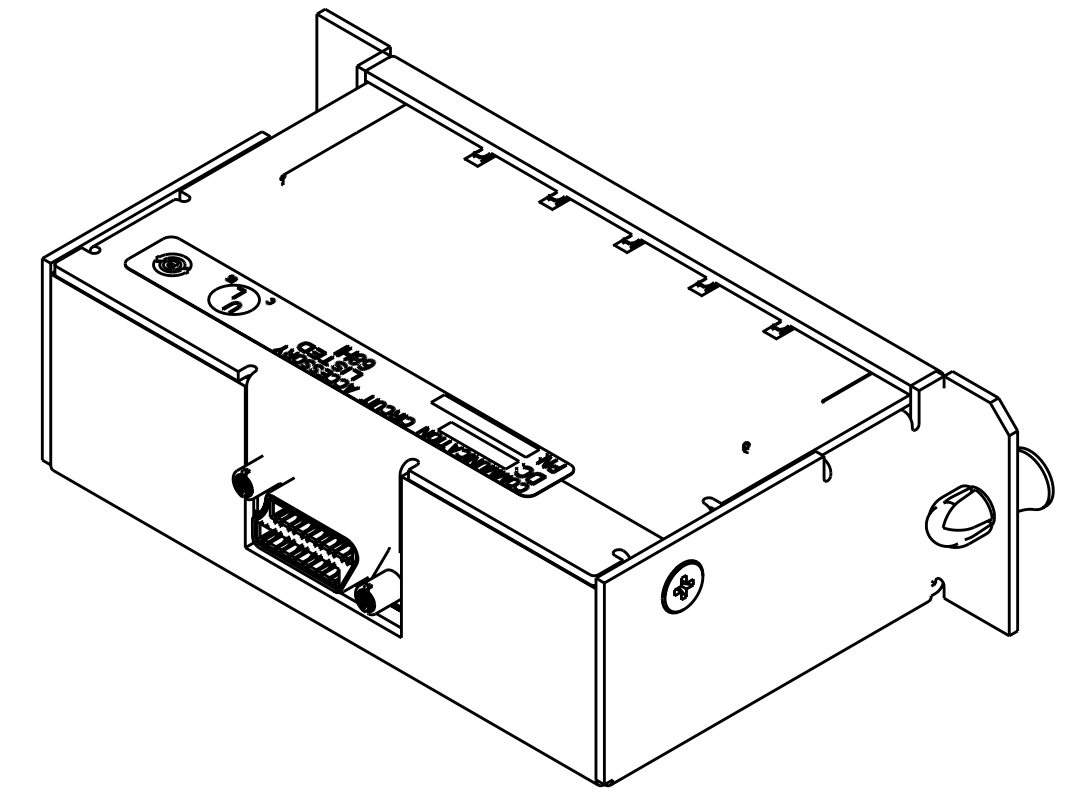


LOC	DIST	REVISIONS				
HM	00	REV	DESCRIPTION	DATE	DWN	APVD
		B	REV PER EC-06-003115	09FEB2006	WS	AK
		C	REV PER ECO-06-012127	30MAY2006	JM	MD
		D	REV PER ECO-06-019787	24AUG06	WS	AK
		E	REV; ECO-08-028104	21NOV2008	GG	DC



<small>THIS DRAWING IS UNPUBLISHED. RELEASED FOR PUBLICATION BY TYCO ELECTRONICS CORPORATION. ALL RIGHTS RESERVED.</small>		DWN R. MARTIN 05MAR2003	Tyco Electronics Harrisburg, PA 17105-3608
DIMENSIONS: INCHES		CHK R. MARTIN	NAME ASSEMBLY, CASSETTE, 2 X 6 MRJ21
TOLERANCES UNLESS OTHERWISE SPECIFIED: 9 PLC ±. 1 PLC ±. 2 PLC ±. 3 PLC ±. 4 PLC ±. ANGLES ±. FINISH		PRODUCT SPEC APPLICATION SPEC WEIGHT CUSTOMER DRAWING	SIZE CAGE CODE DRAWING NO A 00779 C-1479452
MATERIAL		SCALE 1:1	SHEET 1 OF 1 REV E