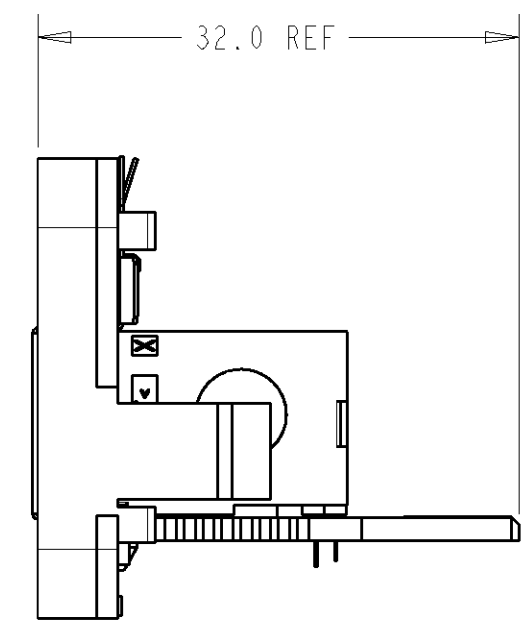
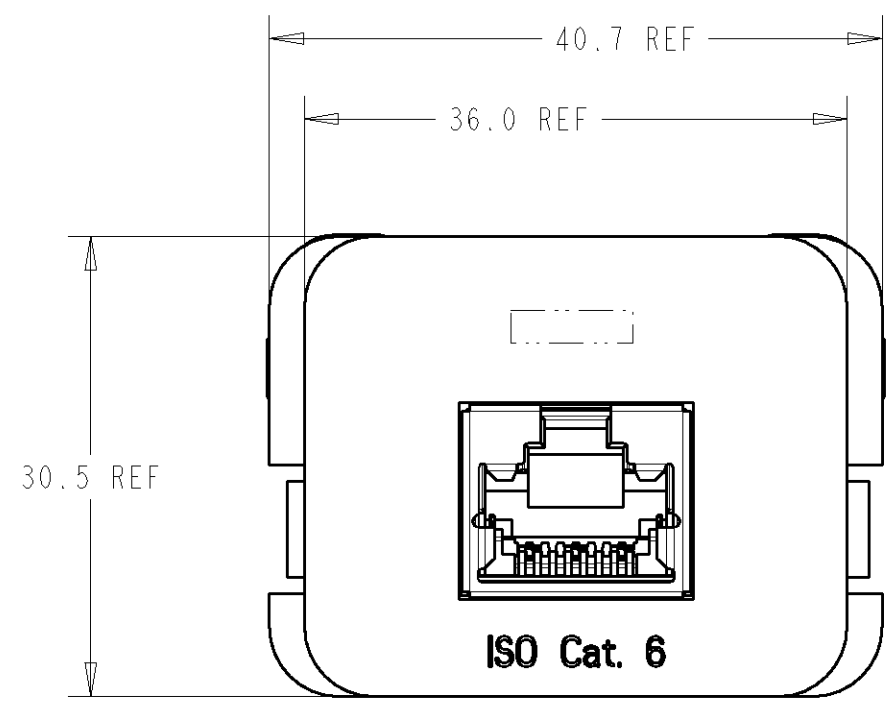
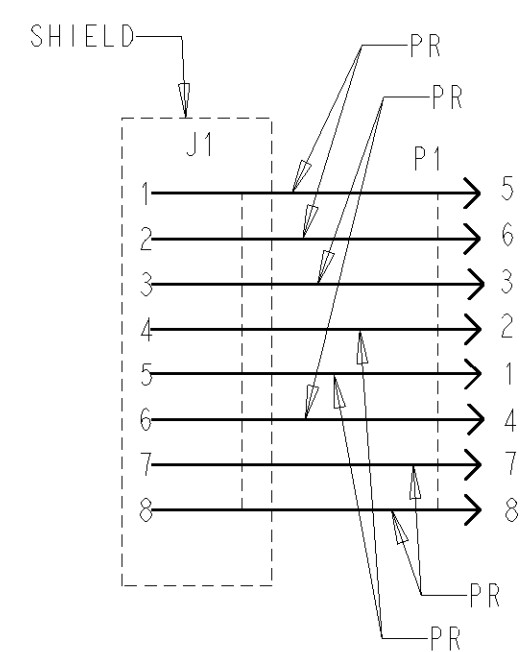


THIS DRAWING IS UNPUBLISHED. RELEASED FOR PUBLICATION 20  
 © COPYRIGHT 20 BY TYCO ELECTRONICS CORPORATION. ALL RIGHTS RESERVED.

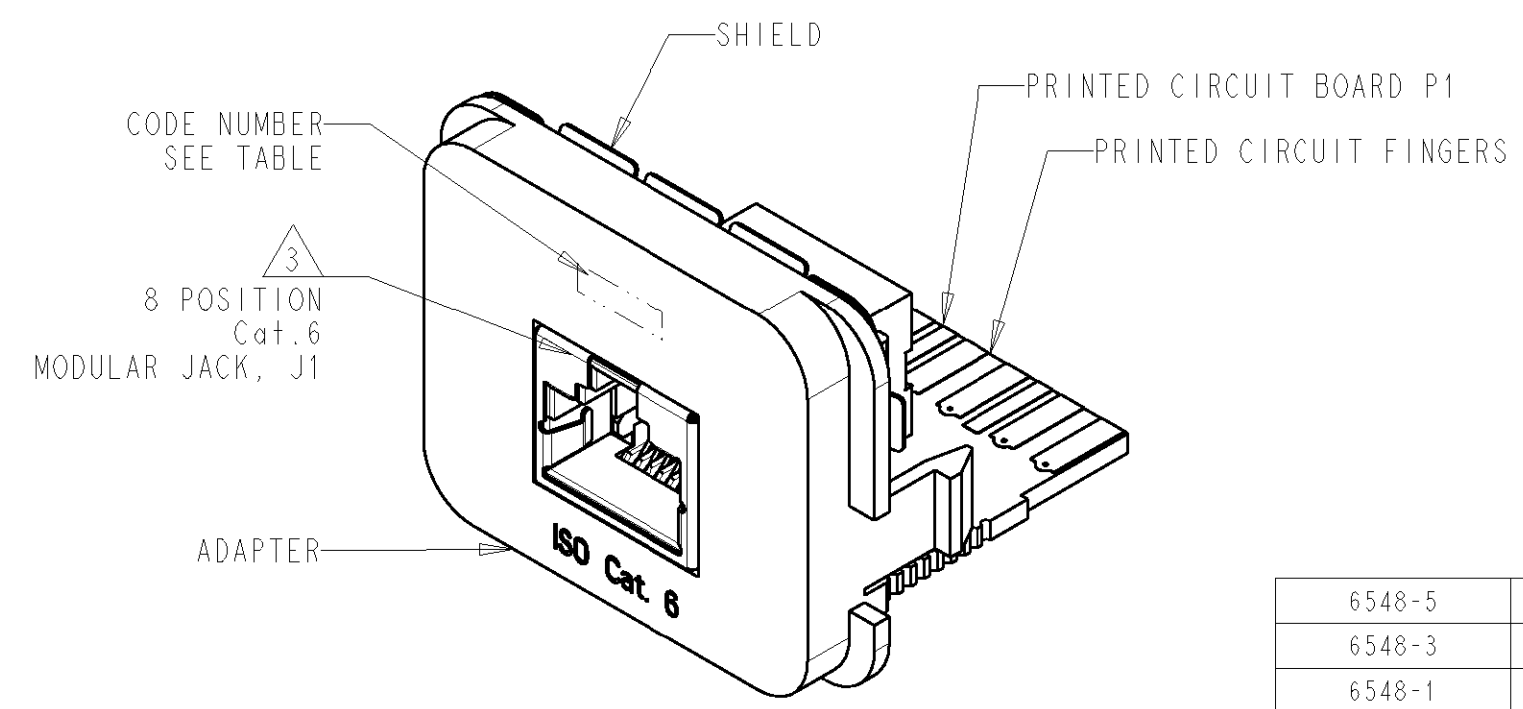
LOC	DIST	REVISIONS			
P	LTR	DESCRIPTION	DATE	DWN	APVD
AL	2				
	A	NO CHANGES-WAS CONCEPTUAL	07-May-01	JG	AP
	B	ES00-0089-01	24-Jul-01	JG	AP
	B1	ES00-0135-01	10-Jan-01	JG	AP



- 1 MATERIAL:  
 PRINTED CIRCUIT BOARD- LAMINATED PLASTIC SHEET, 1.57mm THICKNESS.  
 ADAPTER- ABS MOLDING COMPOUND, SEE TABLE.  
 PRINTED CIRCUIT FINGERS- 0.51micrometers MINIMUM GOLD PLATE OVER 1.27micrometer MINIMUM NICKEL PLATE.  
 GROUND PLANE- 2.54 micrometers MINIMUM TIN OVER 0.25mm THICK BRASS.
- 2. THIS INSERT IS DESIGNED TO MATE WITH EDGE CONNECTOR KITS AND WALLBOX KITS - AMP CO.
- 3 THIS INTERCONNECT MEETS THE REQUERIMENTS OF IEC 603-7



ELECTRICAL SCHEMATIC



CODE NUMBER	MARKINGS COLOR	ADAPTER COLOR	PART NUMBER
6548-5	BLACK	WHITE	336548-5
6548-3	WHITE	BLACK	336548-3
6548-1	BLACK	LIGHT ALMOND	336548-1

DIMENSIONS: mm 		TOLERANCES UNLESS OTHERWISE SPECIFIED: 0 PLC ± 1 PLC ± 2 PLC ± 3 PLC ± 4 PLC ± ANGLES ±		DWN J.GATNAU 30-Apr-01 CHR A.PUELL 07-May-01 APVD J.SANABRA 10-Jan-02 PRODUCT SPEC 108-22148 APPLICATION SPEC - WEIGHT -		<b>tyco Electronics</b> tyco electronics AMP España, S.A. Barcelona, Spain.	
MATERIAL 1 FINISH SEE TABLE		CUSTOMER DRAWING		NAME Cat. 6 SINGLE INSERT, AMP CO SHIELDED		SIZE A3 CAGE CODE 00779 DRAWING NO C-336548 RESTRICTED TO -	
				SCALE 2:1 SHEET 1 OF 1 REV B1			