

4

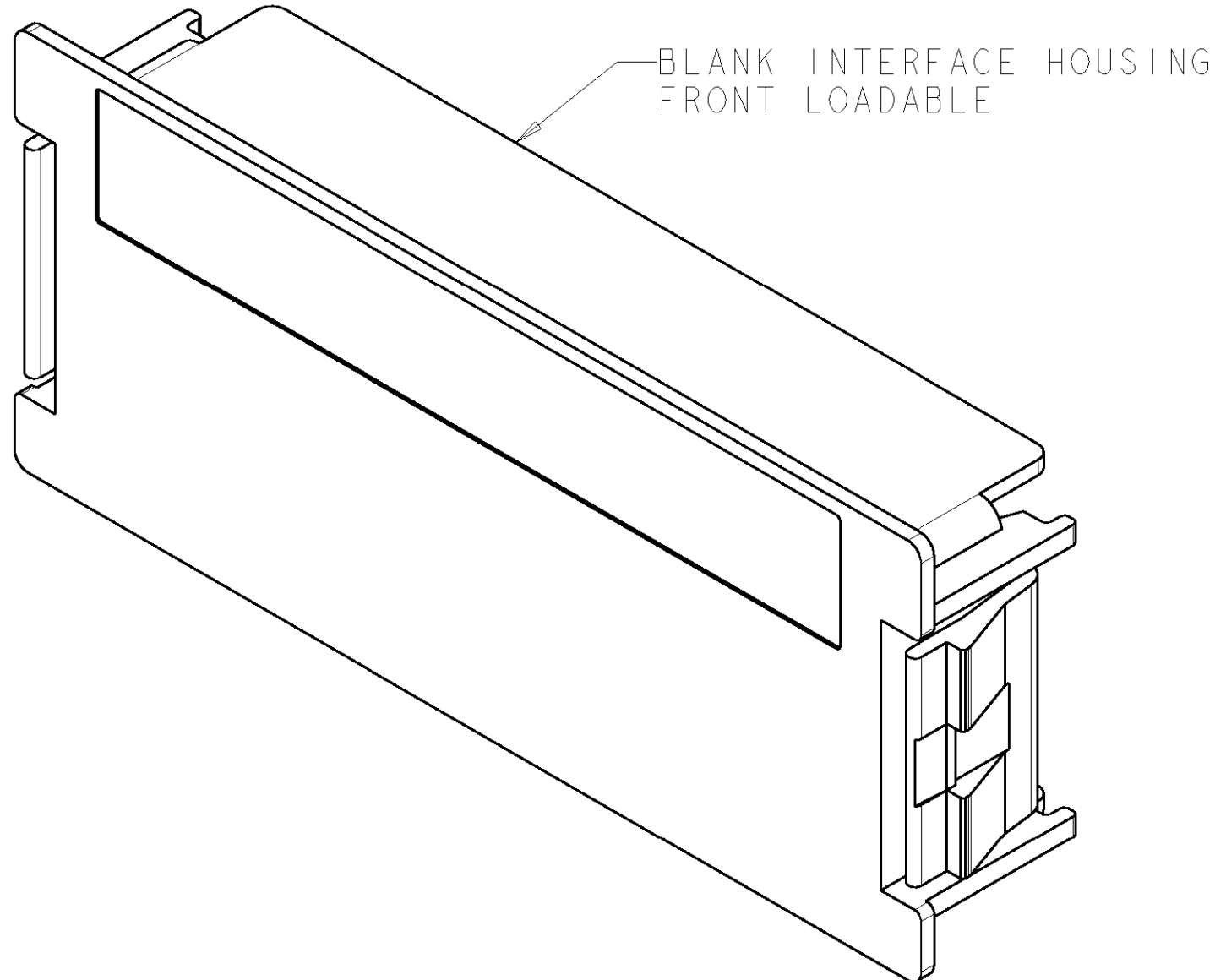
3

2

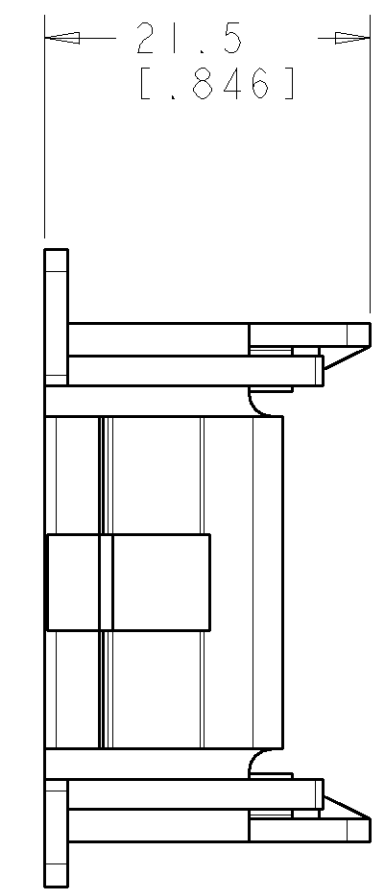
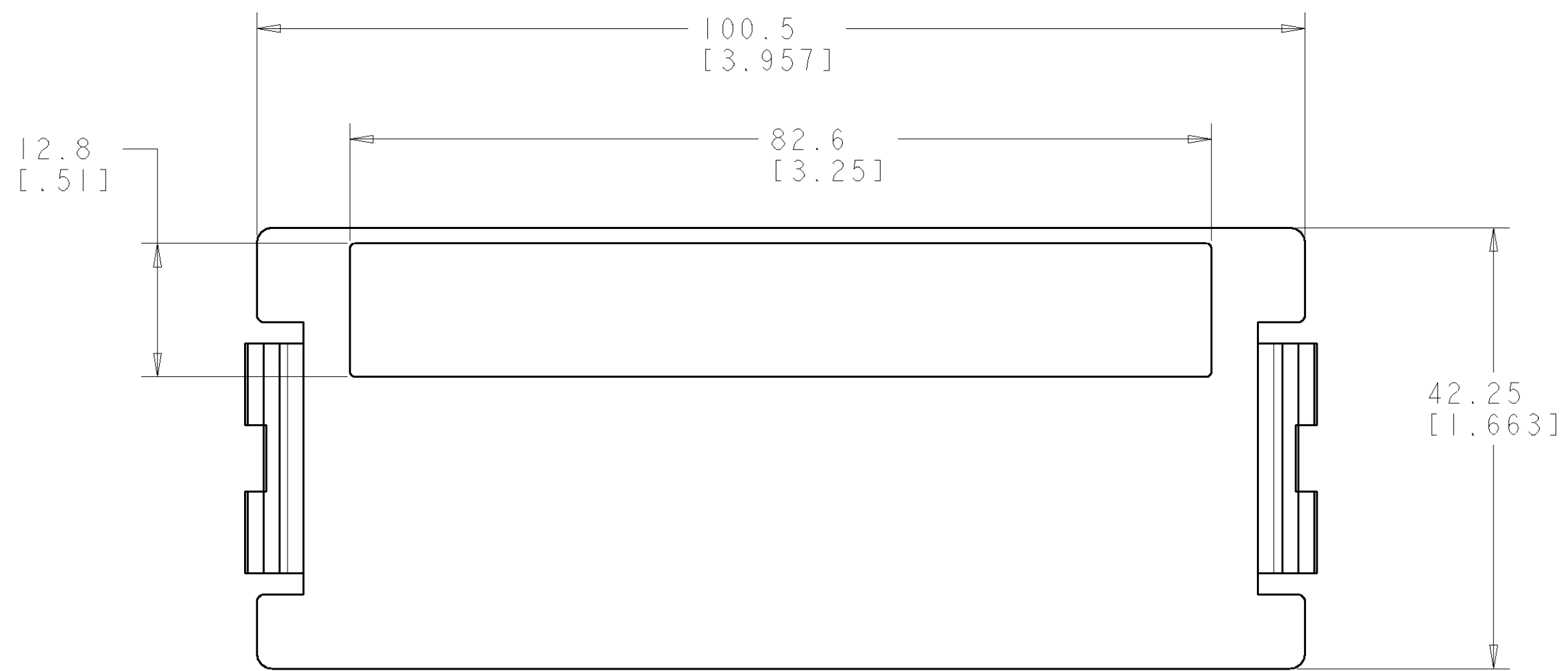
1

THIS DRAWING IS UNPUBLISHED. RELEASED FOR PUBLICATION 20  
 © COPYRIGHT 20 BY TYCO ELECTRONICS CORPORATION. ALL RIGHTS RESERVED.

LOC	DIST	REVISIONS					
HM	00	P	LTR	DESCRIPTION	DATE	DWN	APVD
		A		RLSD - NSD04-036	30JUN04	LHS	JC
		B		REV-EC 0B40-0197-04	16AUG2004	LH	JC



△ MATERIAL: POLYPHENYLENE OXIDE MOLDING COMPOUND.  
 2. ALL DIMENSIONS SHOWN ARE NOMINAL.



1479698-1  
 PART NUMBER

<small>THIS DRAWING IS A CONTROLLED DOCUMENT FOR TYCO ELECTRONICS CORPORATION. IT IS SUBJECT TO CHANGE AND THE CONTROLLING ENGINEERING ORGANIZATION SHOULD BE CONTACTED FOR THE LATEST REVISION.</small>		DWN L. SMITH 30JUN2004 CHK J. CALLOWAY 30JUN2004 APVD J. CALLOWAY 30JUN2004	<b>tyco</b> Tyco Electronics <b>Electronics</b> Harrisburg, PA 17105-3608
DIMENSIONS: MM [INCHES] 	TOLERANCES UNLESS OTHERWISE SPECIFIED: 0 PLC ± 1 PLC ± 2 PLC ± 3 PLC ± 4 PLC ± ANGLES ± FINISH -	PRODUCT SPEC - APPLICATION SPEC - WEIGHT -	NAME KIT, HOUSING, BLANK INTERFACE, FRONT-LOADABLE SIZE A2 CAGE CODE 00779 C=1479698 DRAWING NO. 1479698-1 RESTRICTED TO -
MATERIAL △ -		CUSTOMER DRAWING	SCALE 2:1 SHEET 1 OF 1 REV B