

**NEW!**

# MINI-COM™ 86mm x 86mm Shuttered Faceplates



## SPECIFICATION SHEET

### specifications

86mm x 86mm shuttered faceplates shall be available in 2-port and 4-port configurations with spring-loaded doors that protect connectors from dust and debris when not in use. Faceplates shall offer modularity with all PANDUIT™ MINI-COM™ Modules for STP, UTP, and fiber optic applications. Faceplates shall have both label pockets and icon slots that enable proper port identification. Mounting screws shall be concealed in a manner that provides added tamper resistance and an enhanced appearance of installation.



### technical information

<b>Faceplate dimensions:</b>	86.0mm x 86.0mm x 8.7mm (3.38"H x 3.38"W x 0.34"D)
<b>Mounting options:</b>	Screw holes with screw retention tabs
<b>Number of ports:</b>	2-port and 4-port configurations
<b>Packaging:</b>	Includes faceplate, faceplate cover, label, label cover, and two M4.0-0.7 x 25mm panhead mounting screws

### key features and benefits

<b>Modularity</b>	Accepts all PANDUIT™ MINI-COM™ Modules for STP, UTP, and fiber optics which snap in and out for easy moves, adds, and changes
<b>Spring loaded doors</b>	Snap down over open connectors preventing dust and debris from touching contacts when patch cords are not connected
<b>Concealed screws</b>	Utilizes two-piece construction that allows a cover to snap over the base to hide mounting screws for added security
<b>Labeling capability</b>	Includes label pocket and icon slots that allow ports to be properly identified
<b>Rounded edges</b>	Promotes an aesthetic appearance of installations

### applications

PANDUIT™ MINI-COM™ Faceplates offer an aesthetic solution that complements work areas while offering various features that enhance functionality. Offering modularity for installation flexibility, MINI-COM™ Faceplates support all MINI-COM™ Copper, Fiber, and Audio/Video applications.

As part of a global workstation outlet solution offered by PANDUIT, MINI-COM™ 86mm x 86mm

Shuttered Faceplates mount to select industry standard wall boxes as a two-piece design that snaps together to conceal mounting screws. MINI-COM™ 86mm x 86mm Shuttered Faceplates are built with spring loaded shuttered doors that remain closed when connections are not in use to protect connectors from dust and debris. Built-in labels and icon slots enable easier identification for lower cost of maintenance.

#### MINI-COM™ 86mm x 86mm Shuttered Faceplates

<b>2-port:</b>	CFPL86F2SAW
<b>4-port:</b>	CFPL86F4SAW

#### MINI-COM™ TX5e™ Jack Modules

<b>Module:</b>	CJ5E88TG*
<b>Module (shielded):</b>	CJS5E88TG

#### MINI-COM™ TX6™ PLUS Jack Modules

<b>Module:</b>	CJ688TG*
<b>Module (shielded):</b>	CJS688TG
<b>Module:</b>	CJ688TP

#### TX5e™ UTP Patch Cords\*\*

<b>3 meters:</b>	UTPCH3MY
<b>5 meters:</b>	UTPCH5MY
<b>7 meters:</b>	UTPCH7MY
<b>10 meters:</b>	UTPCH10MY
<b>20 meters:</b>	UTPCH20MY

#### TX5e™ Shielded Patch Cords\*\*

<b>1 meter:</b>	STPCH1MBBU
<b>2 meters:</b>	STPCH2MBBU
<b>3 meters:</b>	STPCH3MBBU
<b>5 meters:</b>	STPCH5MBBU
<b>7 meters:</b>	STPCH7MBBU
<b>10 meters:</b>	STPCH10MBBU

#### TX6™ PLUS UTP Patch Cords\*\*

<b>1 meter:</b>	UTPSP1MY
<b>2 meters:</b>	UTPSP2MY
<b>3 meters:</b>	UTPSP3MY
<b>4 meters:</b>	UTPSP4MY
<b>5 meters:</b>	UTPSP5MY

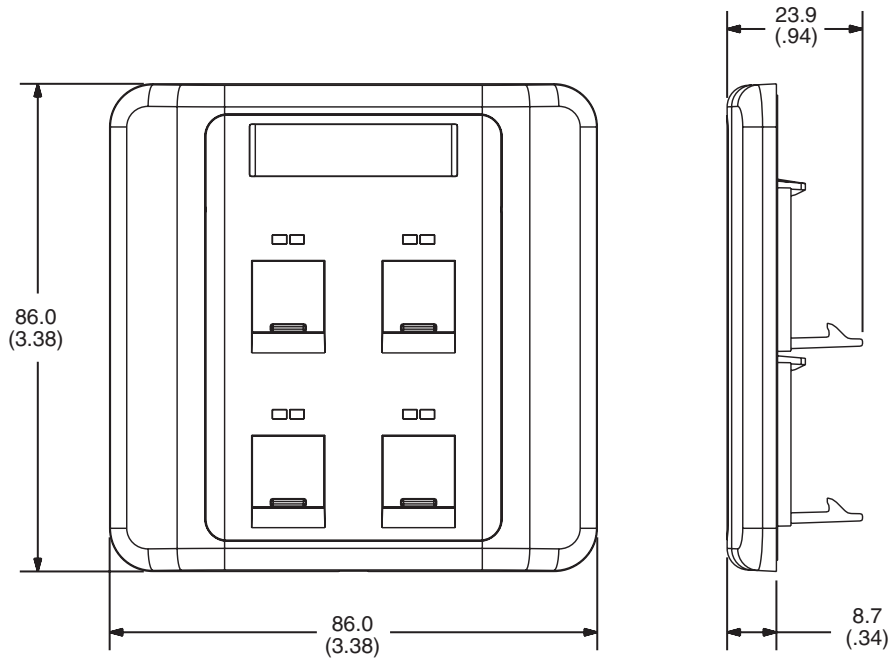
#### TX6™ 10Gig™ Shielded Patch Cords\*\*

<b>3 meters:</b>	STP6X3MIG
<b>5 meters:</b>	STP6X5MIG
<b>7 meters:</b>	STP6X7MIG
<b>10 meters:</b>	STP6X10MIG
<b>20 meters:</b>	STP6X20MIG

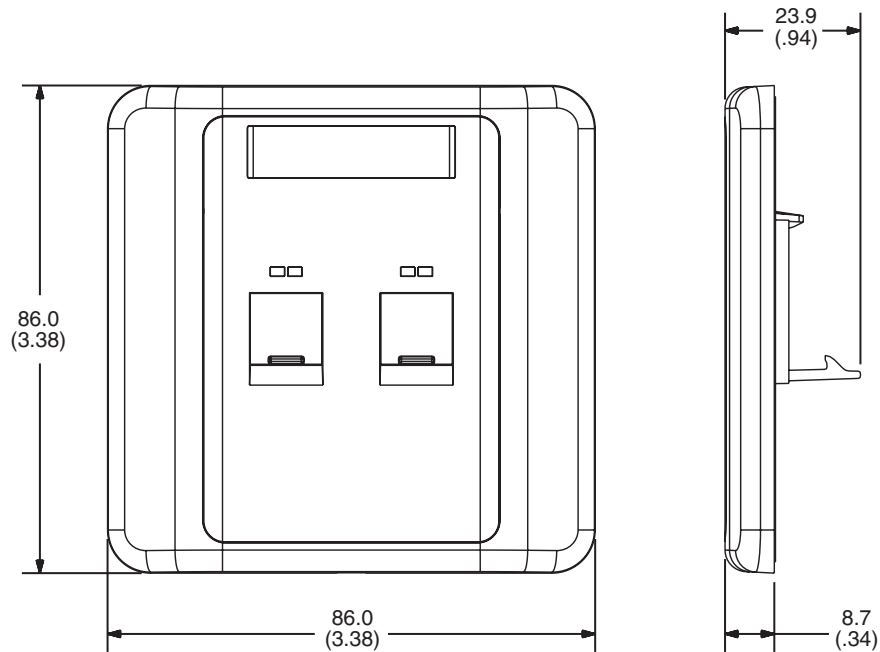
\*To designate a color, add suffix IW (Off White), EI (Electric Ivory), IG (International Gray), WH (White), BL (Black), OR (Orange), RD (Red), BU (Blue), GR (Green), YL (Yellow), AW (Arctic White), BR (Brown) or VL (Violet). Contact Customer Service for additional colors requiring minimum order quantities.

\*\*Standard cable color is Off White (IW). For other colors and lengths, contact customer service.

# MINI-Com™ 86mm x 86mm Shuttered Faceplates



**CFPL86F4S**



**CFPL86F2S**

Dimensions are in metric (dimensions in parentheses are inches).

## WORLDWIDE SUBSIDIARIES AND SALES OFFICES

**PANDUIT CANADA**  
Markham, Ontario  
cs-cdn@panduit.com  
Phone: 800.777.3300

**PANDUIT EUROPE LTD.**  
London, UK  
cs-emea@panduit.com  
Phone: 44.20.8601.7200

**PANDUIT SINGAPORE PTE. LTD.**  
Republic of Singapore  
cs-ap@panduit.com  
Phone: 65.6305.7575

**PANDUIT JAPAN**  
Tokyo, Japan  
cs-japan@panduit.com  
Phone: 81.3.3767.7011

**PANDUIT LATIN AMERICA**  
Jalisco, Mexico  
cs-la@panduit.com  
Phone: 52.333.777.6000

**PANDUIT AUSTRALIA PTY. LTD.**  
Victoria, Australia  
cs-aus@panduit.com  
Phone: 61.3.9794.9020

For a copy of **PANDUIT** product warranties, log on to [www.panduit.com/warranty](http://www.panduit.com/warranty)



For more information  
**Visit us at [www.panduit.com](http://www.panduit.com)**  
Contact Customer Service by email: [cs@emea.com](mailto:cs@emea.com)  
or by phone: 800-777-3300 and reference OTSP10-CN

©2008 **PANDUIT** Corp.  
ALL RIGHTS RESERVED.  
Printed in China  
**WW-OTSP10-CN**  
7/2008