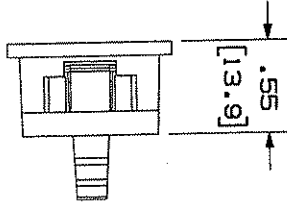
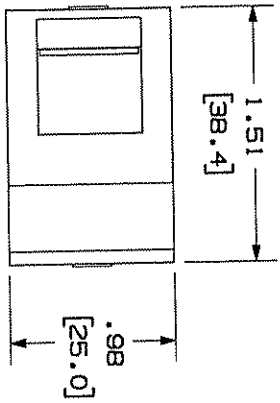
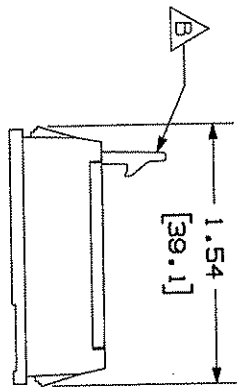


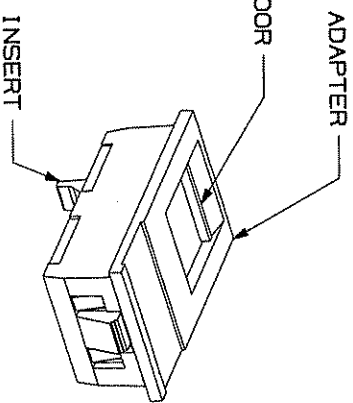
THIS COPY IS PROVIDED ON A RESTRICTED BASIS AND IS NOT TO BE USED IN ANY WAY DETRIMENTAL TO THE INTERESTS OF PANDUIT CORP.



ADAPTER

PANDUIT P/N	WEIGHT
CM6CS**	.131 LB/10 PCS (59.6 g/10 PCS)

- NOTES:
1. SEE CURRENT CATALOG FOR ADDITIONAL PART NUMBER SUFFIXES TO INDICATE COLOR AND OR PACKAGE QUANTITY. SEE CATALOG FOR A COMPLETE LIST OF PARTS APPLICABLE FOR USE WITH THIS PART.
  2. THIS PART IS USED TO SNAP INTO A STANDARD U.K. LJUBC (25mm X 37.5mm) OPENING AND ACCEPTS ALL SINGLE POSITION MINI-COM MODULES. DIMENSIONS IN PARENTHESES ARE IN METRIC.



DWG FILENAME/LAYER: M00024BD\_DC\_00D.PRT

PANDUIT

CORP., TINLEY PARK, ILLINOIS

LJUBC SHUTTERED  
ADAPTER (CM6CS\*\*)  
CUSTOMER DRAWING

UNLESS OTHERWISE SPECIFIED, DIMENSIONAL TOLERANCES ARE:  
(.XX) ± .031(.8) ANGLES ±

UNLESS OTHERWISE SPECIFIED, ALL DIMENSIONS ARE GIVEN IN INCHES, THIRD ANGLE PROJECTION.

REV	DATE	BY	CHK	DESCRIPTION	EON	CHK	CUST	SUP
2	9-27-05	JSP	JCO	8. ADDED RELEASE TAB TO MODULE SNAP.	00024-04	JCO	JCO	
1	3-18-98	JBA	CEF	A. REV'D P/N: WAS CM56C**.	00024-04			
R	5-22-97	RCA	CEF	RELEASED TO PRODUCTION.	00024-04			

DRAWN BY	DATE	CHECKED BY	MATERIAL	DRAWING NO.	DWG SIZE
RCA	5-22-97	CEF	ABS	00024-04	A
SCALE			NONE		