

EARTHING BARS

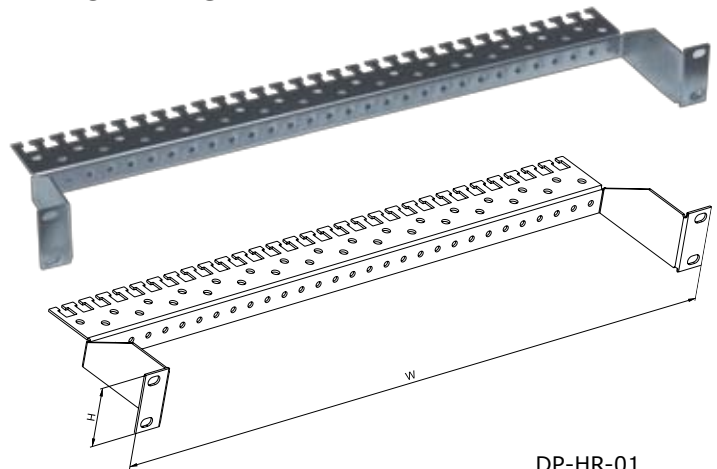
CABLE CLAMP BRACKET/EARTHING BAR FOR PATCH PANEL

Used for earthing of installed equipment.

Description:

- Height 1U and 2U
- Holding of cables with cable ties or PVC clamps
- Possible to use as earthing bar
- Finishing: zinc plated

19" CABLE CLAMP BRACKET		
Code	Height	Width
DP-HR-01	1U	19"
DP-HR-02	2U	19"

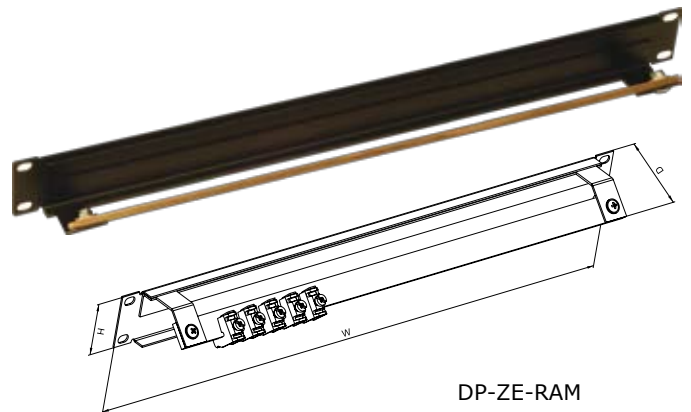


DP-HR-01

19" PANEL WITH EARTHING BAR

Description:

- Height 1U
- Copper earthing rail with 5 earthing clips (DP-ZE-CL) included
- Color powder coated RAL (standard RAL 9005)
- Code: DP-ZE-RAM



DP-ZE-RAM

EARTHING BAR

Description:

- Produced for rack sizes 15-48U
- Made of copper bar 25 x 5mm
- Installation kit for mounting in rack included
- 5 pieces of earthing clips (DP-ZE-CL) included

EARTHING BARS								
Code	Length in mm	H						
DP-UL-15U	667	15U						
DP-UL-18U	800	18U						
DP-UL-21U	933	21U						
DP-UL-24U	1067	24U						
DP-UL-27U	1200	27U						
DP-UL-33U	1467	33U						
DP-UL-36U	1600	36U						
DP-UL-42U	1867	42U </tr <tr> <td>DP-UL-45U</td> <td>2000</td> <td>45U</td> </tr> <tr> <td>DP-UL-48U</td> <td>2134</td> <td>48U</td> </tr>	DP-UL-45U	2000	45U	DP-UL-48U	2134	48U
DP-UL-45U	2000	45U						
DP-UL-48U	2134	48U						



DP-ZE-CL



DP-UL