

Wall-Mountable Connector Housings (WCH)

A LANscape®
Solutions Product

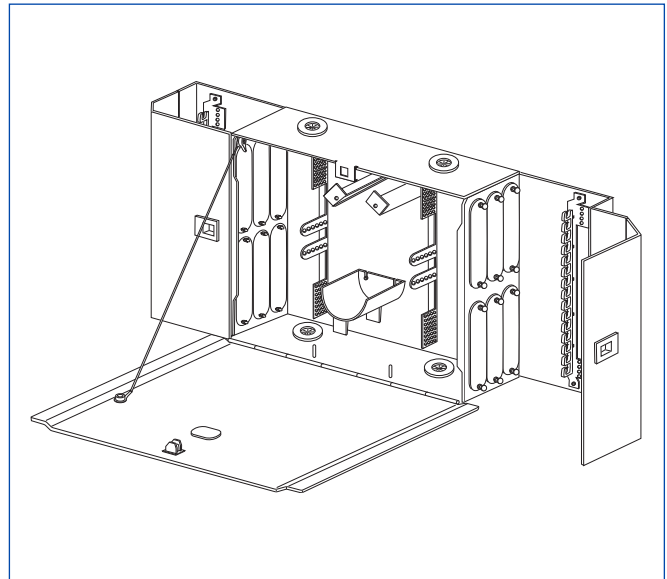
features and benefits |

Interconnect and cross-connect capabilities	Variety of applications
Drop-down access door	Allows for temporary work area during installation
Jumper routing guides	Easy fiber management
Field-installable lock kit (optional)	Additional security
Rugged metal construction	Durability

Corning Cable Systems Wall-Mountable Connector Housing (WCH) provides interconnect or cross-connect capabilities between the outside plant, riser or distribution cables and the opto-electronics. Available in two, four, six and 12 panels, the rugged metal housings can be wall-mounted in main cross-connections or telecommunication rooms. Units accept standard closet connector housing (CCH) connector panels and modules and options include jumper routing guides and a bracket for securing buffer tube fan-out kits. The cable strain-relief kit (WCH-STRNRLF-KIT) is designed for easier installation and the standoff bracket (WCH-STDOFF-BKT) extends the WCH from the wall to allow cable routing behind the housing. Brackets can also be stacked to increase the amount of space for routing. An optional field-installable lock kit is available for additional security.



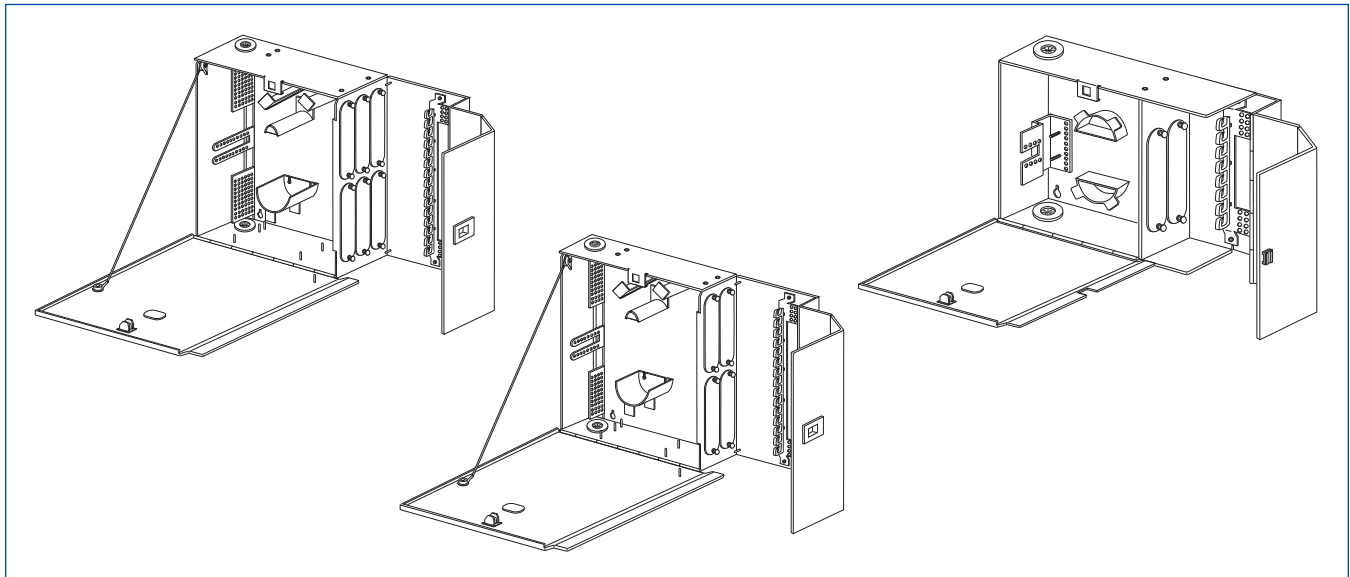
Wall-Mountable Connector Housings | Photo LAN703



WCH-12P (up to 144 fibers) | Drawing CPC-220/5/31

Wall-Mountable Connector Housings (WCH)

A LANscape®
Solutions Product



WCH-06P (up to 72 fibers), WCH-04P (up to 48 fibers) and WCH-02P (up to 24 fibers)
(shown left to right) | Drawing ZA-3319

specifications |

	Dimensions* (H x W x D) cm (in)	Shipping Weight kg (lb)
WCH-02P	23.5 x 33.2 x 8.2 (9.25 x 13.25 x 3.25)	2.5 (5.4)
WCH-04P	34.3 x 40.8 x 10.3 (13.5 x 16.062 x 4.062)	2.8 (6.2)
WCH-06P	34.3 x 40.8 x 13 (13.5 x 16.062 x 5.125)	3.3 (7.2)
WCH-12P	34.3 x 57.1 x 13 (13.5 x 22.5 x 5.125)	4.1 (9)

*Doors in closed position.

Wall-Mountable Connector Housings (WCH)

A LANscape®
Solutions Product

ordering information |

Part Number	Description
WCH-02P	Wall-Mountable Connector Housing; accepts up to 2 CCH panels
WCH-04P	Wall-Mountable Connector Housing; accepts up to 4 CCH panels
WCH-06P	Wall-Mountable Connector Housing; accepts up to 6 CCH panels
WCH-12P	Wall-Mountable Connector Housing; accepts up to 12 CCH panels
Accessories	
WJG-02R	Wall-Mountable Jumper Storage Guides that provide jumper management; kit includes 2 routing guides and mounting screws
WCH-STDOFF-BKT	Wall-Mountable Connector Housing Wall Stand-off Brackets for -04P, -06P, -08P and -12P; brackets provide a 1 in spacing from wall
WCH-STDOFF-BKT-2P	Wall-Mountable Connector Housing Wall Stand-off Brackets for -02P; brackets provide a 1 in spacing from wall
BKT-ALL-R23-75	Universal Rack-Mount Bracket for 19-in or 23-in equipment racks; allows for rack-mounting of the wall-mountable units
WCH-STRNRLF-KIT	Optional External Cable Strain-Relief Kit that utilizes Corning Cable Systems Universal Cable Clamp; includes bracket, mounting hardware, 1 strain-relief clamp and 1 multicable insert that will hold up to 5 cables less than 0.4 in diameter
WCH-DUST-CVR	Optional Dust Cover for -04P and -08P housing; covers jumper exits; includes 2 covers and mounting hardware
WCH-DUST-CVR-D	Optional Dust Cover for -06P and -12P housing; covers 2 jumper exits; includes 2 covers and mounting hardware; 2 kits required for -12P
WCH-LBL-KIT	Replacement Label Kit for WCH
HDWR-LOCK-KIT	Lock Kit for front door of housing; contains 1 lock and 2 keys

Wall-Mountable Connector Housings (WCH)

A LANscape®
Solutions Product

ordering information | (continued)

Part Number	Description
Optional Splice Tray Holders	
WCH-SPLC-2P	Splice Tray Holder for WCH-02P; accommodates (2) 0.2 in Type 2R or (1) 0.4 in Type 4R reduced-length splice trays
WCH-SPLC-4-8	Splice Tray Holder for WCH-04P, WCH-06P and WCH-08P; accommodates (8) 0.2 in Type 2R or (4) 0.4 in Type 4R reduced-length splice trays
WCH-SPLC-12	Splice Tray Holder for WCH-12P; accommodates (12) 0.2 in Type 2R or (6) 0.4 in Type 4R reduced-length splice trays
Slack Storage	
WCH-SSH-2	Wall-Mountable Slack Storage Housing for WCH-02P; accommodates (4) 0.2 in Type 2R or (2) 0.4 in Type 4R reduced-length splice trays
WCH-SSH-4-12	Wall-Mountable Slack Storage Housing for WCH-04P, WCH-06P, WCH-08P and WCH-12P; accommodates (8) 0.2 in Type 2R or 2S, or (4) 0.4 in Type 4R or 4S standard or reduced-length splice trays, or 4 UST splice trays

Note: Splice trays and connector panels must be ordered separately.

Corning Cable Systems LLC • PO Box 489 • Hickory, NC 28603-0489 USA
800-743-2675 • FAX: 828-901-5973 • International: +1-828-901-5000 • www.corning.com/cablesystems

Corning Cable Systems reserves the right to improve, enhance and modify the features and specifications of Corning Cable Systems products without prior notification. LANscape is a registered trademark of Corning Cable Systems Brands, Inc. All other trademarks are the properties of their respective owners. Corning Cable Systems is ISO 9001 certified.
© 1999, 2009 Corning Cable Systems. All rights reserved. Published in the USA. LAN-137-EN / April 2009