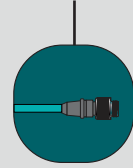


Double-Ended Cordsets

- Threaded Micro-Change® (M12) Cordsets

A range of shielded and unshielded overmolded cordsets are available for connecting Micro-Change (M12) Ethernet system components in harsh industrial environments. Utilizing the proven M12 form factor provides rugged, vibration and shock-resistant IP67 connection and a small, familiar profile. D-coding ensures alignment and prevents improper mating with other M12 connectors.

A de-coupled option is also available.



- Familiar, proven M12 form factor provides robust connection
- Category 5e compliant
- De-coupled cordsets available
- IP67 rated, perfect for harsh industrial environments
- D-Coded to ensure proper alignment/mating

Double-Ended Cordsets

FACE VIEWS (STRAIGHT-WIRED)	<p>FEMALE</p>	<p>MALE</p>	<p>STRAIGHT-WIRED</p> <p>CROSSOVER-WIRED</p>
	PINOUT/ COLOR CODE (STRAIGHT-WIRED)		CABLE CODE 03 & 15: 1- ORANGE (TD+) 2- BLUE (RD+) 3- ORANGE/WHITE (TD-) 4- BLUE/WHITE (RD-)

	FIG	CORDSETS WITH UNSHIELDED PVC CABLE	DESCRIPTION
MALE STRAIGHT/MALE STRAIGHT	1/1	E11A 06003Mxxx	STRAIGHT-WIRED
MALE STRAIGHT/MALE 90°	1/2	E11A 06203Mxxx	STRAIGHT-WIRED
MALE 90°/MALE 90°	2/2	E11A 06303Mxxx	STRAIGHT-WIRED
MALE STRAIGHT/FEMALE STRAIGHT	1/3	E11B03003M002	CROSSOVER-WIRED
FEMALE STRAIGHT/MALE RJ45	3/4	E16A 03003Mxxx	M12-TO-RJ45 PATCHCORD
MALE RJ45/MALE RJ45	4/4	E66A 06003Mxxx	RJ45/RJ45 10 BASE T PATCHCORD
	FIG	CORDSETS WITH SHIELDED PVC CABLE	DESCRIPTION
MALE STRAIGHT/MALE STRAIGHT	1/1	E11A 06015Mxxx E11A 06015MxxxD	STRAIGHT-WIRED STRAIGHT-WIRED, DECOUPLED
MALE STRAIGHT/MALE 90°	1/2	E11A 06215Mxxx	STRAIGHT-WIRED
MALE 90°/MALE 90°	2/2	E11A 06315Mxxx E11A 06315MxxxD	STRAIGHT-WIRED STRAIGHT-WIRED, DECOUPLED
MALE STRAIGHT/FEMALE STRAIGHT	1/3	E11B03015M002	CROSSOVER-WIRED
	FIG	CORDSETS WITH SHIELDED PUR CABLE*	DESCRIPTION
MALE STRAIGHT/MALE STRAIGHT	1/1	E11A 06010Mxxx	STRAIGHT-WIRED
MALE STRAIGHT/MALE 90°	1/2	E11A 06210Mxxx	STRAIGHT-WIRED
MALE 90°/MALE 90°	2/2	E11A 06310Mxxx	STRAIGHT-WIRED
MALE STRAIGHT/FEMALE STRAIGHT	1/3	E11B03010M002	CROSSOVER-WIRED

* PROFINET compliant

Use the following chart to modify your part's specifications

E11Axxx10Mxxx

ORIENTATION

MALE STRAIGHT/MALE STRAIGHT	=	060
MALE STRAIGHT/MALE 90°	=	062
MALE 90°/MALE 90°	=	063

CABLE OPTIONS

UNSHIELDED STRANDED PVC ..	03
SHIELDED STRANDED PVC ..	15
SHIELDED STRANDED PUR ..	10

STANDARD LENGTH*

0.6 METER	006
1 METER	010
2 METER	020
3 METER	030
4 METER	040
5 METER	050
10 METER	100

* Please call for availability of non-standard lengths

	UNSHIELDED PVC	SHIELDED PVC	SHIELDED PUR
MECHANICAL			
CONNECTOR FACE:		PUR	
MOLDED BODY:		PUR (BLACK)	
COUPLING NUT:		NICKEL-PLATED BRASS	
CABLE			
CONDUCTORS:	4 /24AWG STRANDED TINNED WIRE	4 /24AWG STRANDED TINNED WIRE	4 /22AWG STRANDED TINNED WIRE
OUTSIDE DIAMETER (NOM):	5.6mm	6.1mm	6.5mm
JACKET MATERIAL:	PVC (TEAL)	PVC (TEAL)	PUR (GREEN)
INNER MATERIAL INSULATION:	HDPE	FOAMED POLYPROPYLENE	FRNC
SHIELD TYPE:	N/A	FOIL SHIELD, 100% COVERAGE, 25% MIN OVERLAP	FOIL SHIELD: 100% COVERAGE BRAID SHIELD: 85% COVERAGE
CERTIFICATION:	UL CMR (PENDING)	UL CMR (PENDING)	UL LISTED CMX
ELECTRICAL			
TIA/EIA RATING:		CAT5E	
UL:		CL2	
ENVIRONMENTAL			
PROTECTION:	IP67. SUN/OIL RESISTANT (PENDING)	IP67. SUN/OIL RESISTANT (PENDING)	IP67. SUN/OIL RESISTANT
OPERATING TEMPERATURE:		-20°C TO 75°C	

CONNECTOR DIMENSIONS

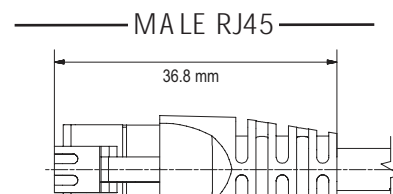
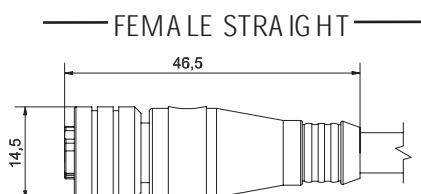
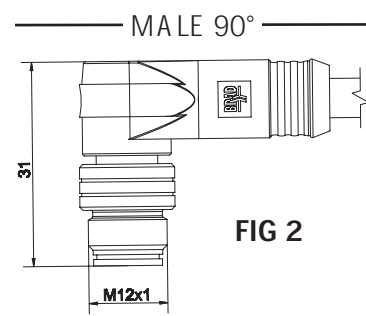
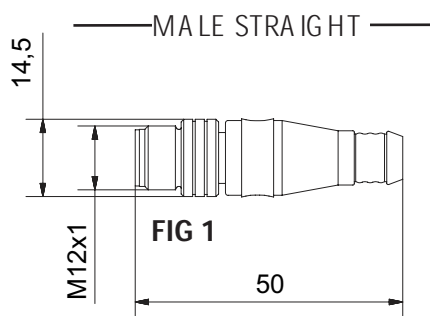


FIG 1

FIG 2

FIG 3

FIG 4