

CERTI-SEAL

Coax Coupling Closure

The CERTI-SEAL coax coupling closure is designed for direct buried splicing of Series 59, 6, 7 and 11 coaxial cables.

Advantages:

- Economical — Permits quick, low cost repair of damaged cable
- Reliable — Gel-filled construction seals out environment, withstands 14 days immersion without signal degradation; withstands extreme temperatures
- Easy to Install — One-piece housing snaps on over coax connection; no special tools required for installation or repair
- Flexible — Accommodates a variety of cables, including series 59 through 11, coaxial cables, long-body F-81 and sealed connectors
- Compliant — Designed to meet Telcordia specification TR-NWT-000975

Applications:

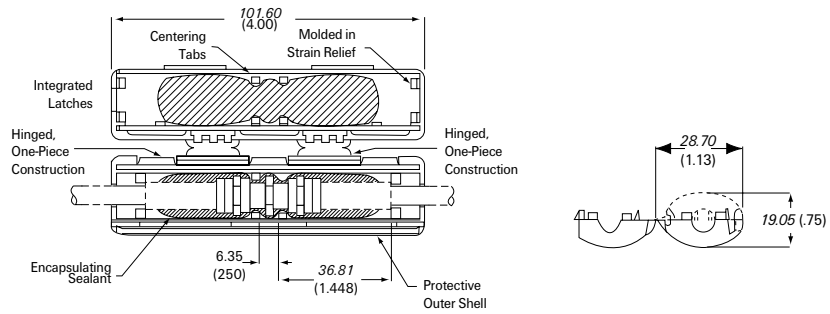
- Splice Protection
- Demarcation points



Sizes and Specifications (dimensions shown in inches/*millimeters*)

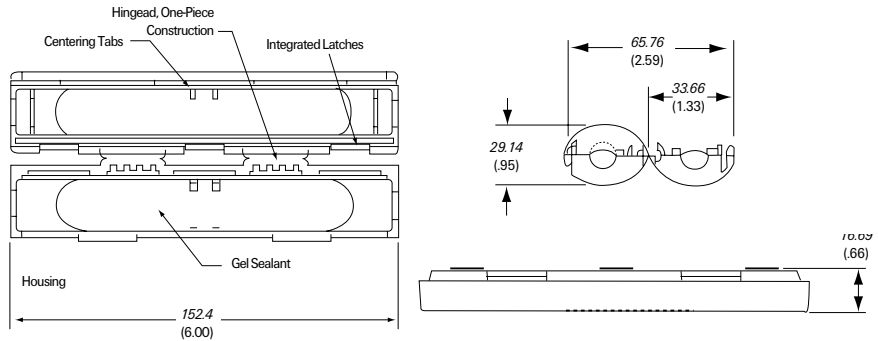
For direct buried or aerial* splices using Series 59 and 6 coaxial cable connectors.

Part Number 608082



For direct buried or aerial* splicing of Series 7 and 11 coaxial cables, long body F-81 and sealed connectors.

Part Number 230186



*Closure adds no strain relief.

Technical Documents

To order any of these documents, call our 24-hour fax-on-demand line at 1-800-522-6752.

Specifications

AMP Product Specification 108-1509

Meets immersion requirements of Telcordia TR-NWT-000975

Compression testing per Bell PUB 55004, Section 5.42.A

Instruction Sheet

IS-408-3357, IS-408-3330

tyco

Electronics

8000 Purfoy Road
Fuquay Varina, NC 27526-9349
Tel 919-557 8900
Fax 919-557 8498
www.tycoelectronics.com
www.telecomosp.com

CERTI-SEAL is a trademark.

The information given herein, including drawings, illustrations and schematics which are intended for illustration purposes only, is believed to be reliable. However, Tyco Electronics makes no warranties as to its accuracy or completeness and disclaims any liability in connection with its use. Tyco Electronics' obligations shall only be as set forth in Tyco Electronics' Standard Terms and Conditions of Sale for this product and in no case will Tyco Electronics be liable for any incidental, indirect or consequential damages arising out of the sale, resale, use or misuse of the product. Users of Tyco Electronics products should make their own evaluation to determine the suitability of each such product for the specific application.

a vital part of your world

© 2005 Tyco Electronics Corporation
1307688 C227.09/06