

Closet Connector and Splice Housing (CCS)

A LANscape® Solutions Product

Corning
Cable Systems

Applications

Corning Cable Systems Closet Connector and Splice Housing provides a single housing for convenient pigtail splicing of fibers where multiple connector and splice housings are not desired.

Description

The closet connector and splice housing (CCS) combines the benefits of a connector housing and splice housing into a single unit. This cost-effective design approach reduces the number of housings being installed, saving the user valuable and expensive rack space. The CCS is a rack-mounted product that is to be used in premises applications in the main cross-connect (MC) or intermediate cross-connect (IC) locations. To optimize the flexibility of this design, Corning Cable Systems recommends the use of pigtailed panels to reduce installation time and improve quality. These panels are available in a variety of connector types and come complete with factory-installed and tested connectorized pigtails.

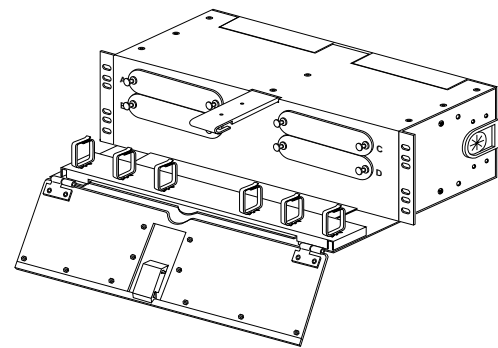
The CCS-03U accepts up to four LANscape® Solutions connector panels¹ and up to four 0.2-inch-thick (Type 2R, 2S or 2M) splice trays or two 0.4-inch-thick (Type 4R, 4S or 4M) splice trays². The CCS-01U accepts up to two LANscape Solutions connector panels¹ and splice trays². These products will fit in either 19- or 23-in equipment racks or cabinets. The housing is built to be mounted in a 19-in rack or cabinet. Optional 23-in brackets are also available. A field-installable lock kit is available for both the front³ and rear doors³.

Features / Benefits

- Ideal for pigtail splicing
- Offers flexibility for mounting in equipment racks or cabinets
- Suitable for loose tube, tight-buffered and ribbon cables
- Durable, polycarbonate-tinted front door³ for viewing jumpers
- Supports single-mode and multimode applications
- Accepts LANscape Solutions connector panels or pigtailed panels that are available in many fiber counts and connector styles
- Accommodates splice trays for fusion and mechanical splices
- Individual splice tray access
- Multiple cable entry and jumper exit locations



CCS-01U (shown with optional label panels) | Photo LAN214



CCS-03U | Drawing ZA-2042

Notes:

¹ LANscape Solutions connector panels and modules are sold separately.

² Splice trays are sold separately.

³ CCS-03U only.



Closet Connector and Splice Housing (CCS)

A LANscape® Solutions Product

Corning
Cable Systems

Specifications

Part Number	Dimensions (H x W x D) cm (in)	Shipping Weight kg (lb)
CCS-01U	4.4 x 43.25 x 30.5 (1.75 x 17 x 12)	1.7 (4)
CCS-03U	13.3 x 43.25 x 30.5 (5.25 x 17 x 12)	2.7 (6)

Ordering Information

1. Order the housing

Part Number	Description
CCS-01U	1U Closet Connector and Splice Housing; accepts up to two LANscape® Solutions adapter panels or pigtailed panels and two 0.2-in (Type 2R, 2S or 2M) splice trays or one 0.4-in (Type 4R, 4S or 4M) splice trays; panels available in 6-, 8-, 12- and 24-fiber capacities
CCS-03U	3U Closet Connector and Splice Housing; accepts up to four LANscape Solutions adapter panels or pigtailed panels and four 0.2-in (Type 2R, 2S or 2M) splice trays; panels available in 6-, 8-, 12- and 24-fiber capacities
CCS-03U-F	3U Closet Connector and Splice Housing; accepts up to four LANscape Solutions adapter panels or pigtailed panels and two 0.4-in (Type 4R, 4S or 4M) splice trays; panels available in 6-, 8-, 12- and 24-fiber capacities

2. Order the accessories

CCS-LBL-PNL	Optional jumper shelf/label panel for CCS-01U
CJP-01U	Closet Jumper Management Panel; provides jumper management in a 1.75-in rack space
CJP-02U	Closet Jumper Management Panel; provides jumper management in a 3.5-in rack space
CJP-03U	Closet Jumper Management Panel; provides jumper management in a 5.25-in rack space
UCC-001	Universal Cable Clamp Strain-Relief Kit for 0.375 to 1.125-in cable diameters
UCC-005	Universal Cable Clamp Strain-Relief Kit for five cables with 0.4-in maximum O.D.
CCH-WALLMNT-KIT	Bracket for wall mounting a CCH; brackets provide 6 rack spaces
HDWR-LOCK-KIT	Field-Installable Lock
CDF-ER-7A-19	Closet Distribution Frame, 19-in aluminum equipment rack, 7-ft tall, 1.75-in rack spacing with 44 usable racks spaces; includes a top jumper trough
CDF-IBU-7-6 or -10	Closet Distribution Frame – Inter-bay Storage Unit, 7-ft tall; includes routing guides and vertical slack storage bay; accepts an optional front cover
CDF-IBU-CVR-6 or -10	Closet Distribution Frame – Inter-bay Storage Unit Cover, 7-ft tall
CDF-HUB-05	CDF IBU Hub

3. Order the adapter panels and modules and splice trays

Must be ordered separately.

CDF-01U-23-BKT	CCS-01U 23-in mounting brackets
CDF-03U-23-BKT	CCS-03U 23-in mounting brackets

Corning Cable Systems LLC • PO Box 489 • Hickory, NC 28603-0489 USA

1-800-743-2675 • FAX: +1-828-901-5973 • International: +1-828-901-5000 • <http://www.corning.com/cablesystems>

Corning Cable Systems reserves the right to improve, enhance and modify the features and specifications of Corning Cable Systems products without prior notification. LANscape is a registered trademark of Corning Cable Systems Brands, Inc. Discovering Beyond Imagination is a trademark of Corning Incorporated. All other trademarks are the properties of their respective owners. Corning Cable Systems is ISO 9001 certified. © 1999, 2005 Corning Cable Systems. All rights reserved. Published in the USA. LAN-237-EN / June 2005 / pdf

