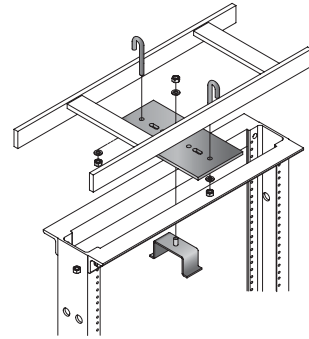


# Product Information Sheet

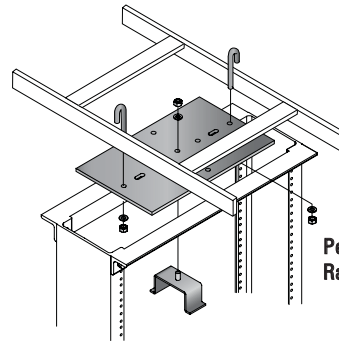
## RACK-TO-RUNWAY MOUNTING PLATE USING HAT-SHAPED BRACKET

Secures cable runway to the top of Standard and Universal equipment racks without intruding into valuable mounting space. The combination of the flat plate and hat-shaped bracket form a clamp around the rack's top angles or top bars. Mounts either parallel or perpendicular. For proper attachment of 6" runway, use top bars (13045 Series) rather than top angles on your rack.

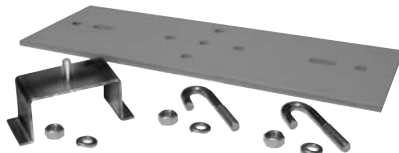
- Various sizes accommodate our popular cable runway widths and rack depths
- Includes brackets and hardware to match 1.25" high or 1.5" high rack top angles (current and past models of CPI Standard and Universal Racks)
- Kit consists of:
  - 1 mounting plate
  - 2 hat-shaped brackets
  - 2 J-Bolts, 5/16-18 x 2-1/4"
  - 3 hex nuts, 5/16-18
  - 3 split lock washers, 5/16"



Parallel Mounting on Rack with 3"D Channel



Perpendicular Mounting on Rack with 6"D Channel



Note: 12730 Kit shown

Mounting Plate Using Hat-Shaped Bracket

Part Number	Rack Channel Depth	Runway Width	Plate Material	Shipping Weight
12730-X04	3"	4"	Steel	4 lb
12730-X08		5" to 8"	Steel	5 lb
12730-X12		9" to 12"	Steel	5 lb
12730-X18		15" to 18"	Steel	7 lb
13730-X24		20" to 24"	Aluminum	4 lb
12731-X09	6"	5" to 9"	Aluminum	5 lb
12731-X12		10" to 12"	Aluminum	5 lb
12731-X18		15" to 18"	Aluminum	7 lb
13731-X24		20" to 24"	Aluminum	5 lb

Note (X) denotes finish color: (-1) for Gray, (-2) for White or (-7) for Black

800-834-4969 in U.S. & Canada • [www.chatsworth.com](http://www.chatsworth.com)



CHATSWORTH PRODUCTS, INC.

All products quoted are subject to availability base on manufacturing capacity and shipping dates should be considered estimates only. While every effort has been made to ensure the accuracy of all information, CPI does not accept liability for any errors or omissions and reserves the right to change information and descriptions of listed services and products. ©2006 Chatsworth Products Inc. All rights reserved. CPI and MegaFrame are registered trademarks of Chatsworth Products, Inc. All other trademarks belong to their respective companies. Rev 09/06